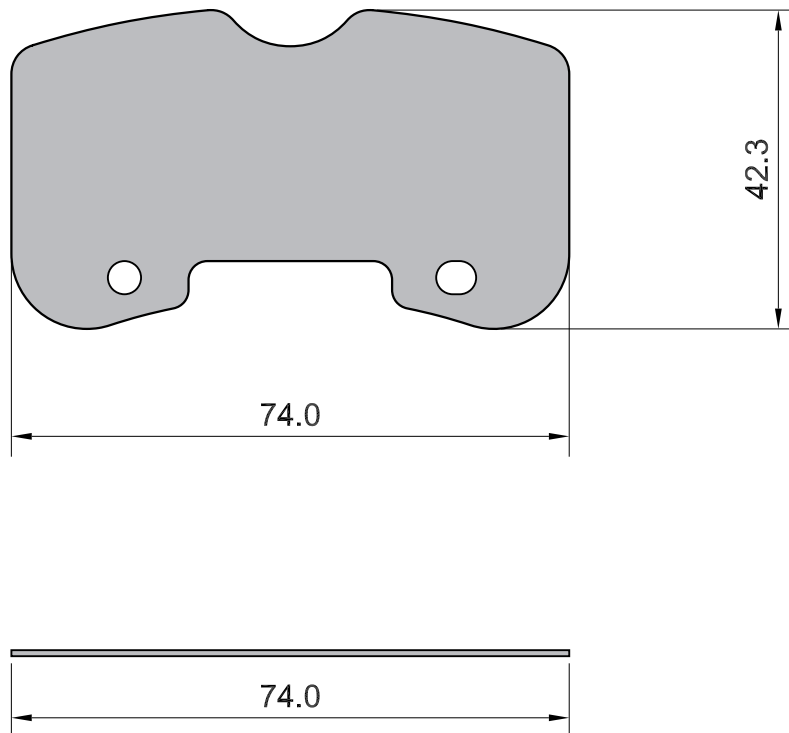


APPLICATION	AXLE	SCALE	REV.	DATE		SHIM 026
	R	100%	00	28/10/2014		
<b>AUDI</b> :A1,A2,A3,A4,A6,A8,TT <b>CITROEN</b> :C2,C3,C4,C4 PICASSO,XSARA, XSARA PICASSO,C8 <b>FIAT</b> :ULISSE <b>FORD</b> :GALAXY <b>LANCIA</b> :PHEDRA <b>PEUGEOT</b> :307,405,1007,PARTNER <b>RENAULT</b> :MODUS <b>SEAT</b> :AROSA,ALHAMBRA,ALTEA,IBIZA, CORDOBA,LEON,TOLEDO <b>SKODA</b> :FABIA,OCTAVIA,ROOMSTER,YETI, SUPERB, <b>VOLKSWAGEN</b> :BORA,GOLF,JETTA,LUPO, NEW BEETLE,PASSAT,POLO,VENTO, SHARAN	W.V.A. 20961	FMSI D984 D340	O.E.			
			7701208416	9404252328		
			150698451	1H0698451D		
			1E0698451C	1J0698451		
			4B0698451	1J0698451C		
			4B0698451B	7M0698451		
			4B0698451E	1J0698451B		
			4D0698451D	1K0698451C		
			8E0698451	8E0698451		
			8E0698451A	8E0698451A		
			425233	8E0698451K		
			425241	3B0698415A		
			9404252328	1J0698451P		
1001096	1J0698415S					
1027640	6Q0698451					
425396	6Q0698451B					



**MECCANICHE MARCO MORETTO S.R.L.**  
**BRAKE PADS COMPONENTS**



Drawing in CAD corrections are not allowed

**TOLLERANCE: ± 0.5**