
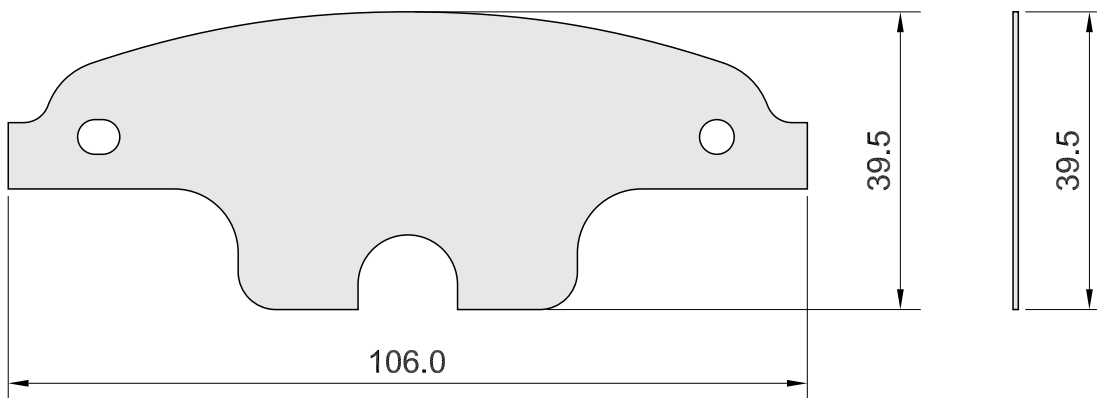


APPLICATION CHEVROLET:CRUZE,ORLANDO,TRAX OPEL:ASTRA,ZAFIRA,MOKKA,ANPERA, CASCADO VOLKSWAGEN:JETTA	AXLE	SCALE	REV.	DATE	<b>SHIM 054</b>
	F/R	100%	00	19/10/2015	
	W.V.A. 25096		FMSI D1468-0	O.E.	 <b>MECCANICHE MARCO MORETTO S.R.L.</b> <b>BRAKE PADS COMPONENTS</b>



Drawing in CAD corrections are not allowed

**TOLLERANCE: ± 0.5**