
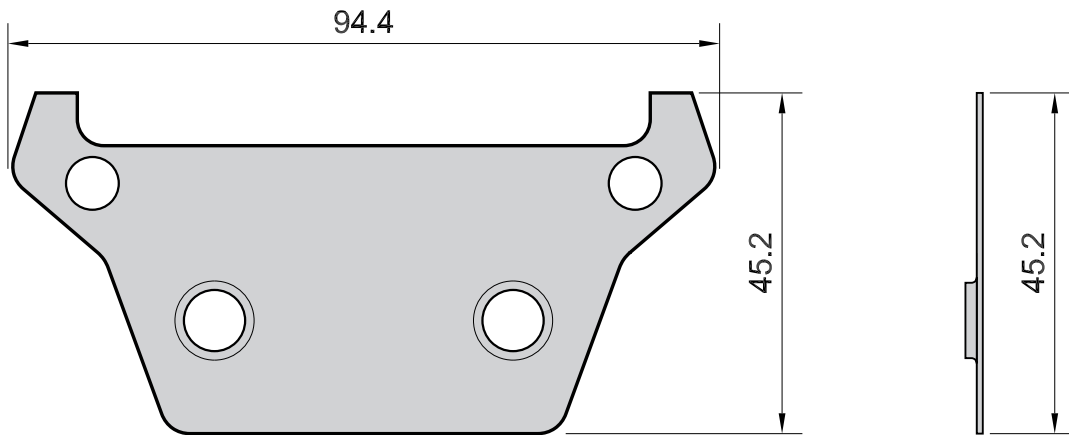


APPLICATION MERCEDES BENZ:VITO	AXLE	SCALE	REV.	DATE	SHIM 069
	R	100%	00	25/02/2017	
	W.V.A. 23020		FMSI	O.E.	 MECCANICHE MARCO MORETTO S.R.L. BRAKE PADS COMPONENTS



Drawing in CAD corrections are not allowed
TOLLERANCE: ± 0.5