

APPLICATION

FORD: GALAXY, MONDEO, S-MAX  
JAGUAR: X-TYPE  
LAND ROVER: FREELANDER  
PEUGEOT: 508  
RANGE ROVER: EVOQUE  
VOLVO: S60-S80

AXLE  
F

SCALE  
100%

REV.  
00

DATE  
27/10/2014

SHIM 079

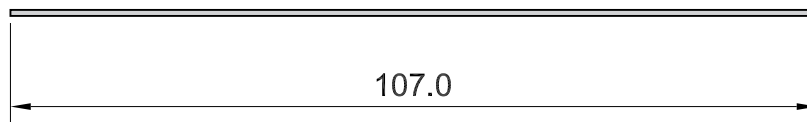
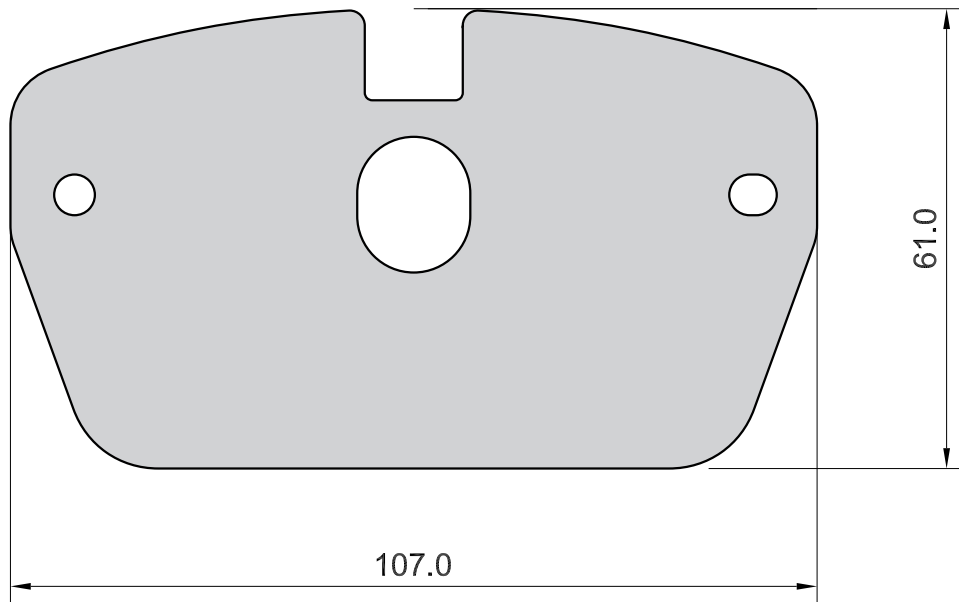
W.V.A.  
24123

FMSI  
D1306-I

O.E.



MECCANICHE MARCO MORETTO S.R.L.  
BRAKE PADS COMPONENTS



Drawing in CAD corrections are not allowed

TOLLERANCE: ± 0.5