
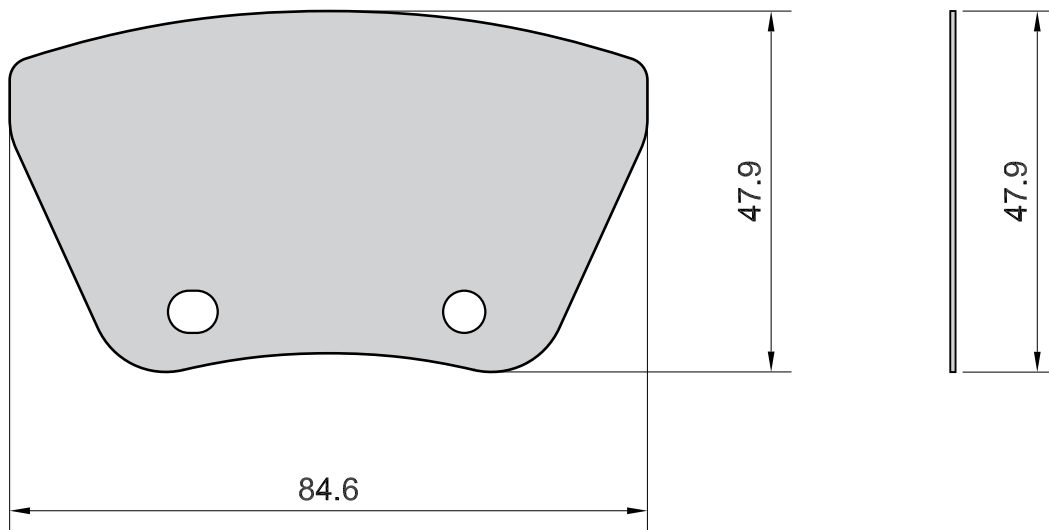


APPLICATION	AXLE	SCALE	REV.	DATE	SHIM 130
	R	100%	00	11/11/2014	
<b>AUDI:</b> A3 CABRIO I, A3 II,A3 QUATTRO II, <b>SEAT:</b> ALTEA,LEON <b>SKODA:</b> OCTAVIA II, SUPERB II,YETI <b>VOLKSWAGEN:</b> CADDY IV,CADDY MAXI, GOLF VI CABRIO,GOLF VI,EOS, GOLF VI VARIANT,JETTA III,MAGGIOLINO, SCIROCCO II, TOURAN II	W.V.A. 24536	FMSI D1456	O.E. 5KO698451	 <b>MECCANICHE MARCO MORETTO S.R.L.</b> BRAKE PADS COMPONENTS	



Drawing in CAD corrections are not allowed  
**TOLLERANCE: ± 0.5**