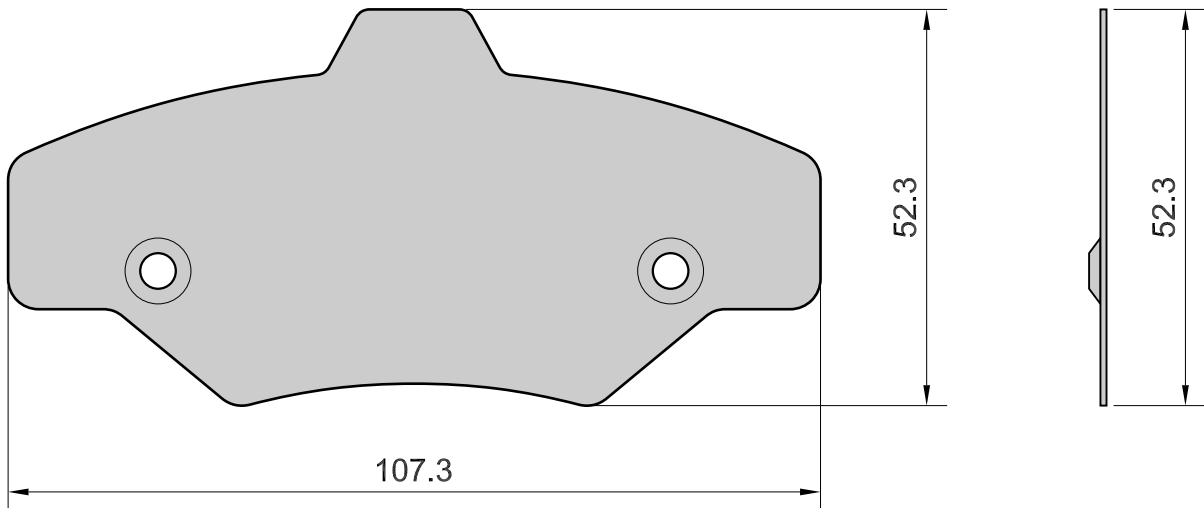


APPLICATION	AXLE	SCALE	REV.	DATE	SHIM 168
	R	100%	00	24/11/2011	
AUDI : 80,90,100,200,COUPE',QUATTRO VOLKSWAGEN :CADDY,GOLF,JETTA,LUPO, POLO,VENTO,SCIROCCO,CORRADO PASSAT SEAT :CORDOBA,IBIZA,INCA,TOLEDO	W.V.A.	FMSI	O.E.		
	20168	D0696	431698151B		
	23065	D0704	8A0698151		
	23066	D0684	8A0698151A		
	23067		8A0698151C		
			1HM698151		
			357698151E		
			6N0698151B		
			6N0698151E		
			8A0698151A		
			6N0698151E		
			8A0698151C		



Drawing in CAD corrections are not allowed

TOLLERANCE: ± 0.5