
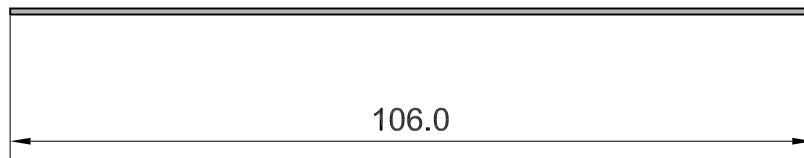
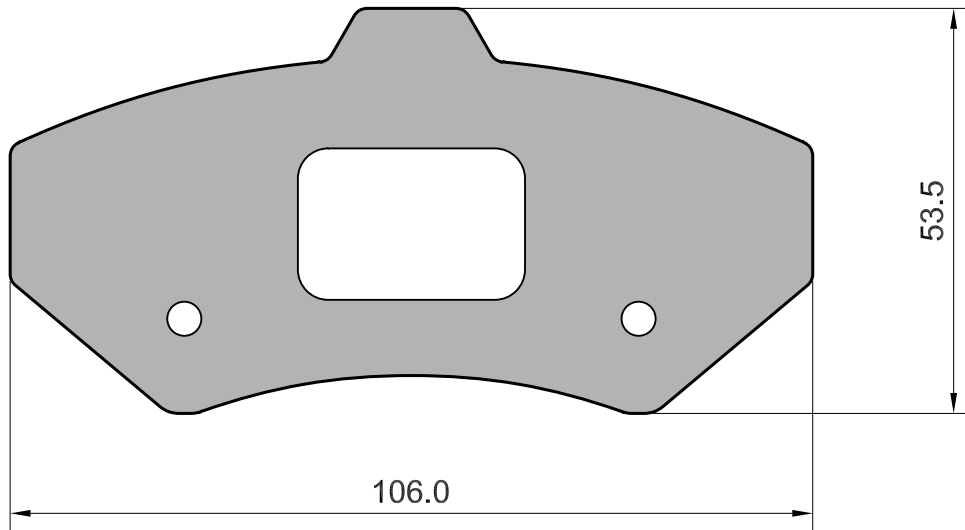


APPLICATION	AXLE	SCALE	REV.	DATE	SHIM 169
	F	100%	00	15/03/2013	
<b>AUDI</b> :100,200,80,90,COUPE',QUATTRO <b>SEAT</b> :IBIZA,CORDOBA,INCA,TOLEDO <b>VOLKSWAGEN</b> :CADDY,CORRADO,GOLF, JETTA,LUPO,PASSAT,POLO,VENTO, SCIROCCO	<b>W.V.A.</b> 20167 20168 20669 20901 21366 21859 21944 21945	<b>FMSI</b> D1459 D0684 D0696 D0704	<b>O.E.</b> 431698151B 8A0698151 8A0698151A 8A0698151C 1HM698151 357698151E 6N0698151B 6N0698151E 8A0698151A 8A0698151C	 <b>MECCANICHE MARCO MORETTO S.R.L.</b> <b>BRAKE PADS COMPONENTS</b>	



Drawing in CAD corrections are not allowed

**TOLLERANCE: ± 0.5**