
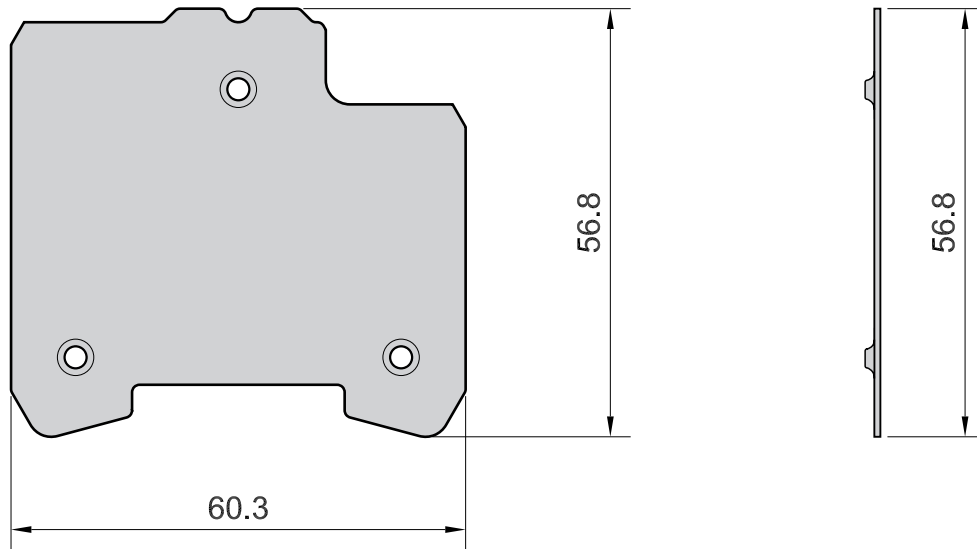


APPLICATION MERCEDES:S-CLASS, S-CLAS COUPE'	AXLE	SCALE	REV.	DATE	SHIM 175
	R	100%	00	27/11/2014	
	W.V.A. 23078		FMSI	O.E.	 MECCANICHE MARCO MORETTO S.R.L. BRAKE PADS COMPONENTS



Drawing in CAD corrections are not allowed

TOLLERANCE: ± 0.5