
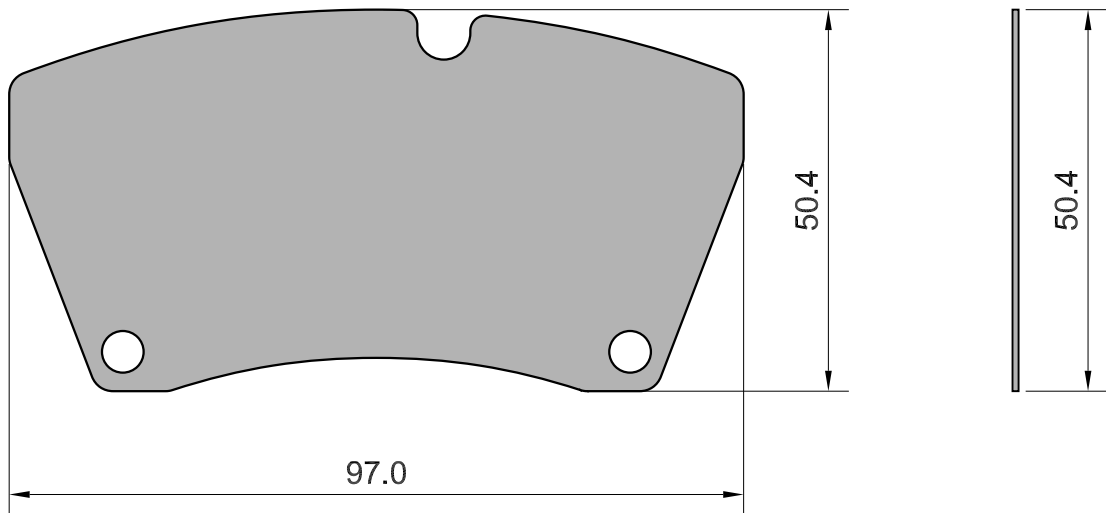


APPLICATION  MERCEDES : A CLASS	AXLE	SCALE	REV.	DATE	SHIM 177
	F	100%	00	11/04/2012	
	W.V.A. 24077		FMSI	O.E. 1694200220	 <b>MECCANICHE MARCO MORETTO S.R.L.</b> <b>BRAKE PADS COMPONENTS</b>



Drawing in CAD corrections are not allowed

TOLLERANCE: ± 0.5