
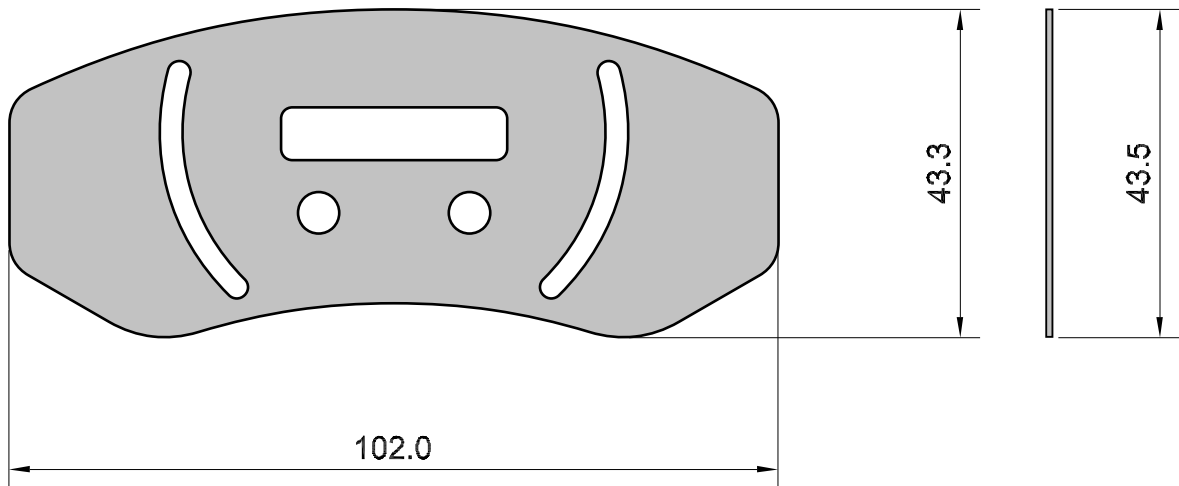


APPLICATION CHEVROLET: AVEI III, GENTRA DAEWOO: KALOS	AXLE	SCALE	REV.	DATE	SHIM 178
	F	100%	00	24/05/2014	
	W.V.A. 23974 25295 25296		FMSI D1269	O.E.	 MECCANICHE MARCO MORETTO S.R.L. BRAKE PADS COMPONENTS



Drawing in CAD corrections are not allowed
TOLLERANCE: ± 0.5