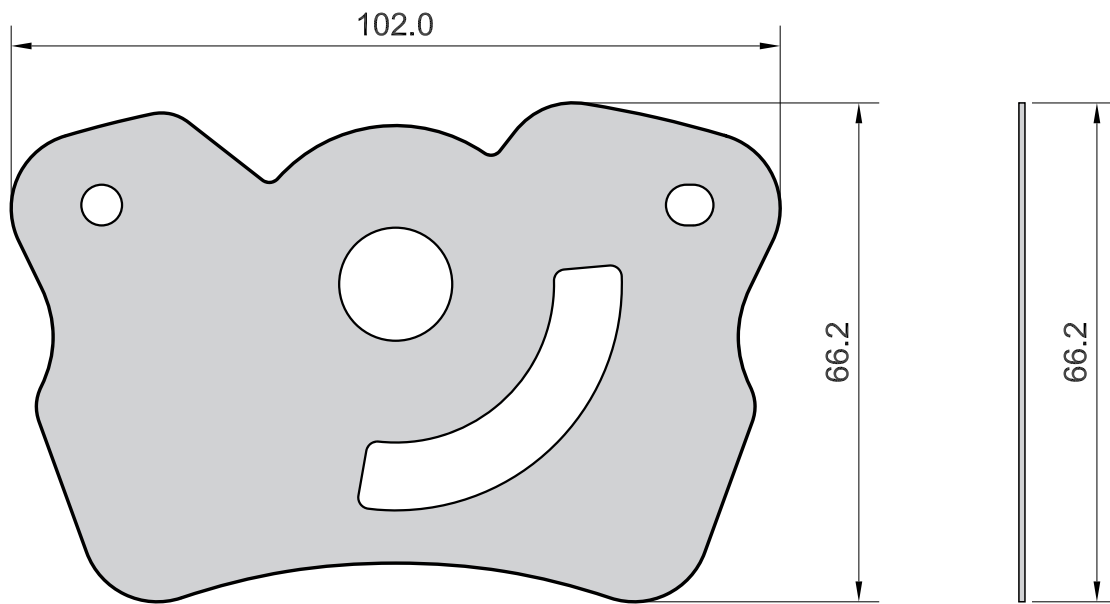


APPLICATION	AXLE	SCALE	REV.	DATE	SHIM 186
VOLKSWAGEN: MULTIVAN T5, MULTIVAN T6 TRANSPORTER T5, TRANSPORTER T6, TOUREG	F	100%	00	24/02/2017	
		W.V.A. 23467 23468 23469 23746 23747 23748 23385	FMSI	O.E.	



Drawing in CAD corrections are not allowed
TOLLERANCE: ± 0.5