
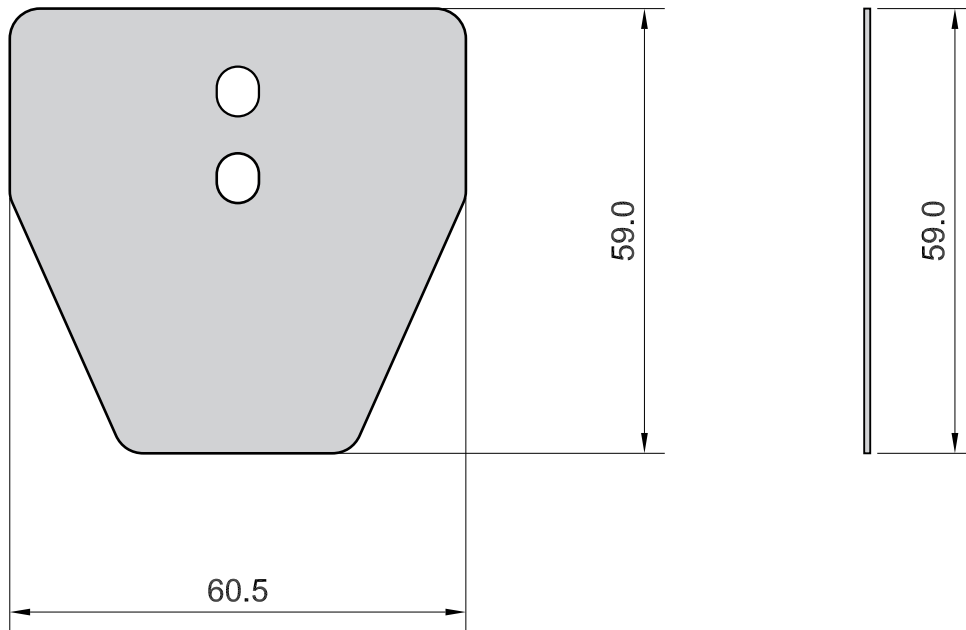


APPLICATION  AUDI:S6 ALLROAD QUATTRO I, A6 QUATTRO II,A6 QUATTRO III, S6 QUATTRO III	AXLE	SCALE	REV.	DATE	<b>SHIM 188</b>
		100%	00	27/11/2014	
	W.V.A. 23280 23119		FMSI	O.E.	 <b>MECCANICHE MARCO MORETTO S.R.L.</b> <b>BRAKE PADS COMPONENTS</b>



Drawing in CAD corrections are not allowed  
**TOLLERANCE: ± 0.5**