

APPLICATION

AXLE
R

SCALE
100%

REV.
00

DATE
23/06/2016

SHIM 2005

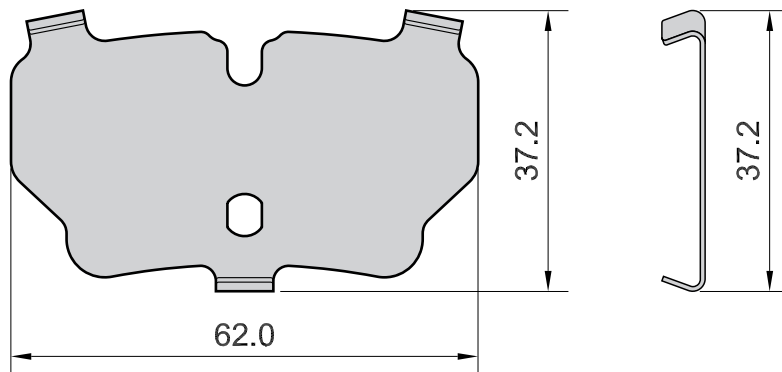
W.V.A.
24320
24321
24322
23967

FMSI
D0996
D1157-I
D1157-0

O.E.



MECCANICHE MARCO MORETTO S.R.L.
BRAKE PADS COMPONENTS



Drawing in CAD corrections are not allowed

TOLLERANCE: ± 0.5