
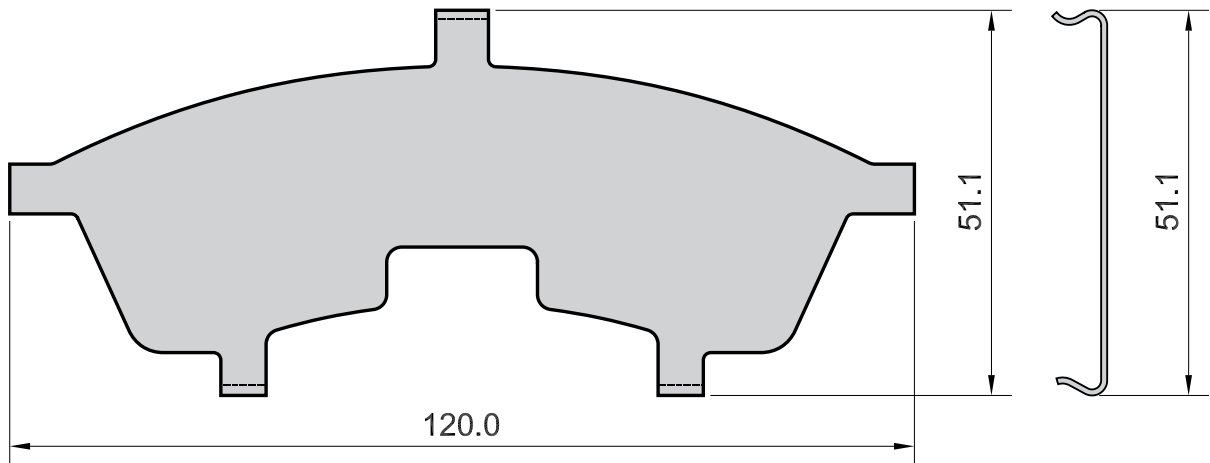


APPLICATION	AXLE	SCALE	REV.	DATE	SHIM 2006
		100%	00	23/06/2016	
FORD:FIESTA VI MOD. 08,TOURNEO, COURIER MAZDA:2-11 MOD. 07-14 SUBARU:JUSTY IV MOD. 07-11	W.V.A. 24283 24284 24285		FMSI	O.E.	 MECCANICHE MARCO MORETTO S.R.L. BRAKE PADS COMPONENTS



Drawing in CAD corrections are not allowed

TOLLERANCE: ± 0.5