
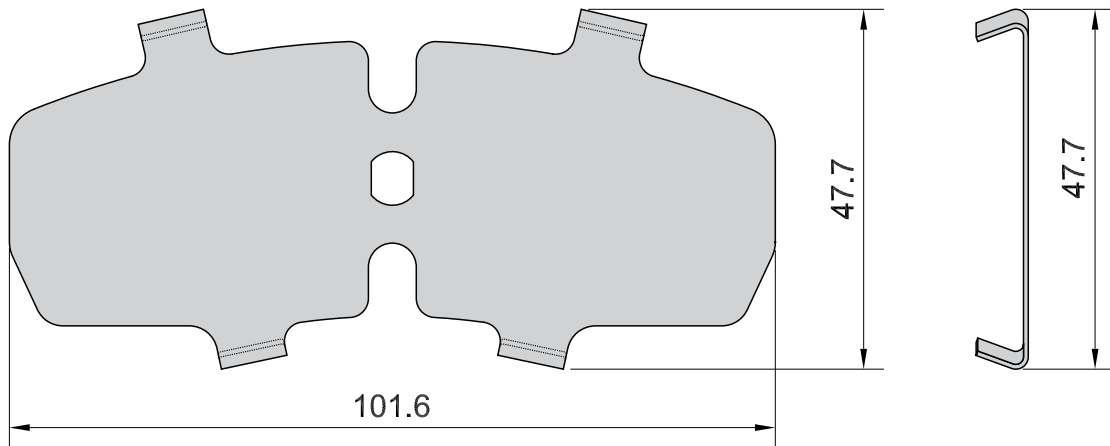


APPLICATION	AXLE	SCALE	REV.	DATE	SHIM 2010
	F	100%	00	13/06/2016	
CITROEN:BERLINGO,C2,C4,XSARA PICASSO,BERLINGO ENTERPRISE PEUGEOT:RANG	W.V.A. 23599		FMSI	O.E.	 MECCANICHE MARCO MORETTO S.R.L. BRAKE PADS COMPONENTS



Drawing in CAD corrections are not allowed

TOLLERANCE: ± 0.5