
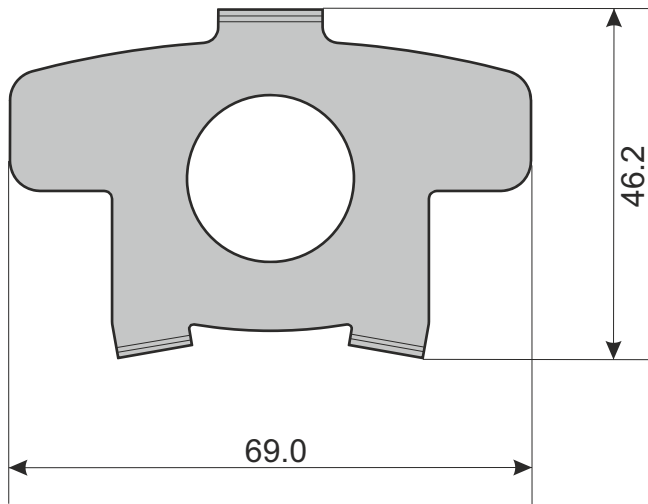


APPLICATION	AXLE	SCALE	REV.	DATE	SHIM 2031
	R	100%	00	12/10/2017	
ACURA HONDA ROVER	W.V.A. 21719 23652 23653 23736 24231 24232 24233 24388	FMSI	O.E.		



Drawing in CAD corrections are not allowed  
**TOLLERANCE± 0.5**