
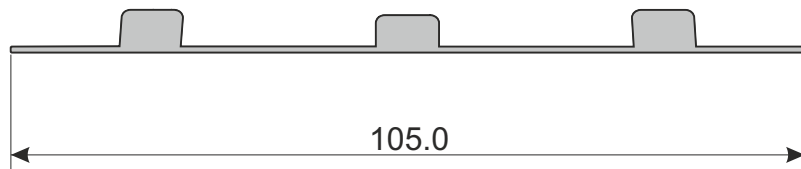
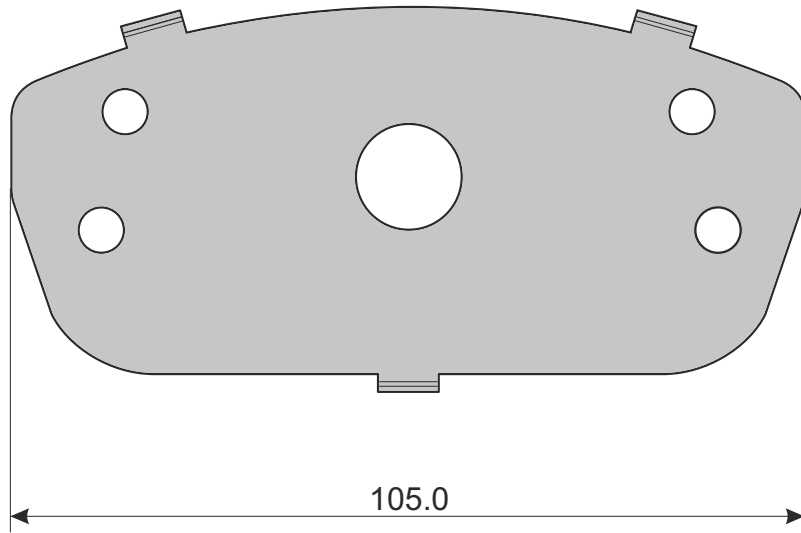


APPLICATION FORD: FIESTA VII 2017	AXLE	SCALE	REV.	DATE	SHIM 2051
	F	100%	00	27/04/2018	
	W.V.A. 22748 22749		FMSI	O.E.	 MORETTO BRAKE PADS COMPONENT



Drawing in CAD corrections are not allowed
TOLLERANCE± 0.5