
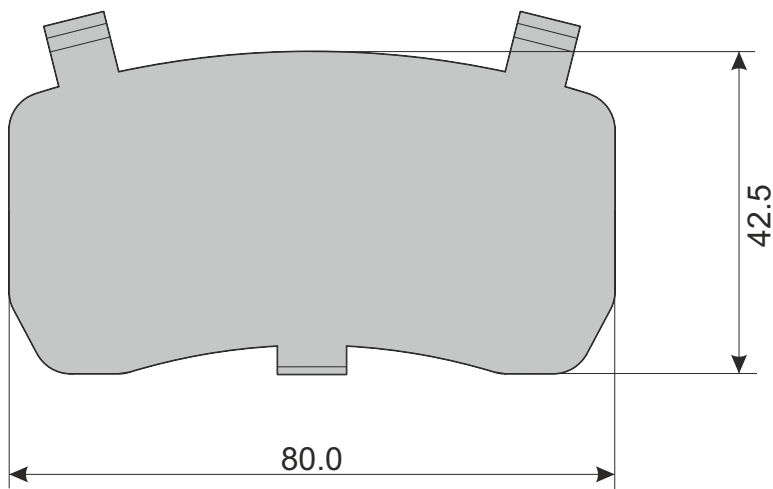


APPLICATION	AXLE	SCALE	REV.	DATE	SHIM 2056
DACIA: DOKKER, LODGY, LOGAN DUSTER II MOD. 10- MERCEDES: CITAN (W415) MOD. 12- NISSAN: MICRA C-C MICRA III MOD. 03-10 NOTE I MOD. 06/13 RENAULT: CAPTUR, GRAN MODUS, CLIO III MOD. 05/12 CLIO IV MOD. 12- KANGOO II MOD. 08- MEGANE IV MOD. 16- MODUS RENAULT VC: KANGOO EXPRESS II MOD. 08-	F	100%	00	12/06/2018	
		W.V.A. 23973	FMSI	O.E.	 MORETTO BRAKE PADS COMPONENT



Drawing in CAD corrections are not allowed

TOLLERANCE± 0.5