
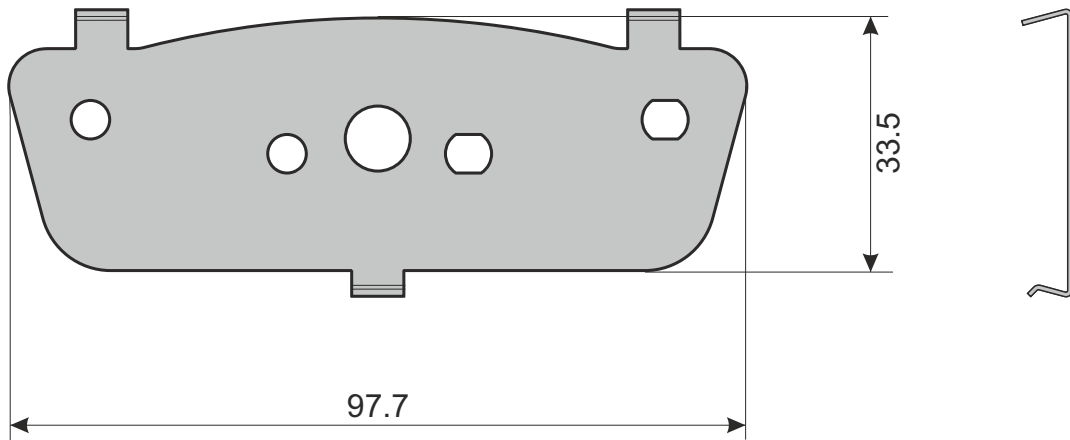


APPLICATION	AXLE	SCALE	REV.	DATE	SHIM 2058
	F	100%	00	11/06/2018	
<b>DACIA:</b> LOGAN II 10/12- LOGAN II MCV 02/13- SANDERO II 10/12- <b>RENAULT:</b> CLIO IV 11/12- CLIO IV 01/14- CLIO IV GRANDTOUR 01/13- TWINGO III 09/14- <b>SMART:</b> FOURFOUR II 07/14- FORTWO III 09/15-	W.V.A.		FMSI	O.E.	 <b>MORETTO</b> BRAKE PADS COMPONENT
	22521				
	25702				
	25703				
	25728				



Drawing in CAD corrections are not allowed  
**TOLLERANCE± 0.5**