
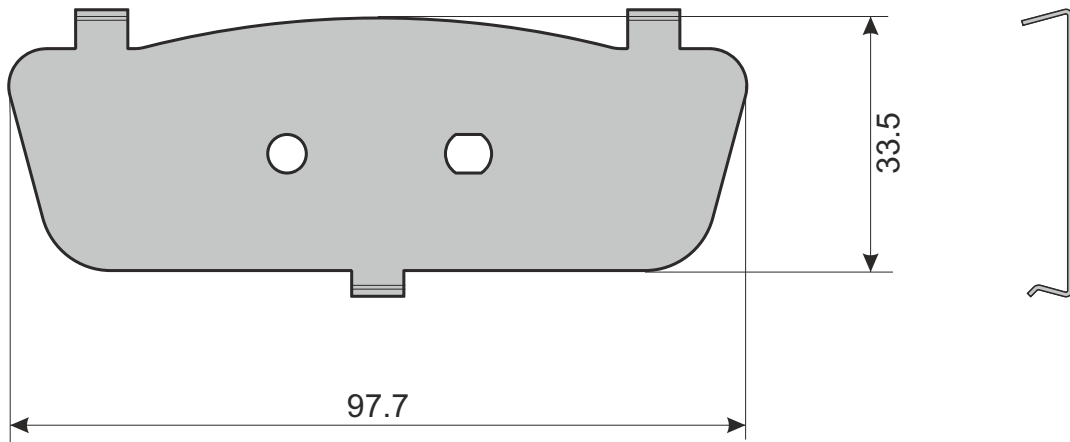


APPLICATION	AXLE	SCALE	REV.	DATE	SHIM 2059
SMART: FORTWO ELECTRIC DRIVE EQ 05/17-	F	100%	00	11/06/2018	
		W.V.A. 22521 25702 25703 25728	FMSI	O.E.	 MORETTO BRAKE PADS COMPONENT



Drawing in CAD corrections are not allowed
TOLLERANCE± 0.5