
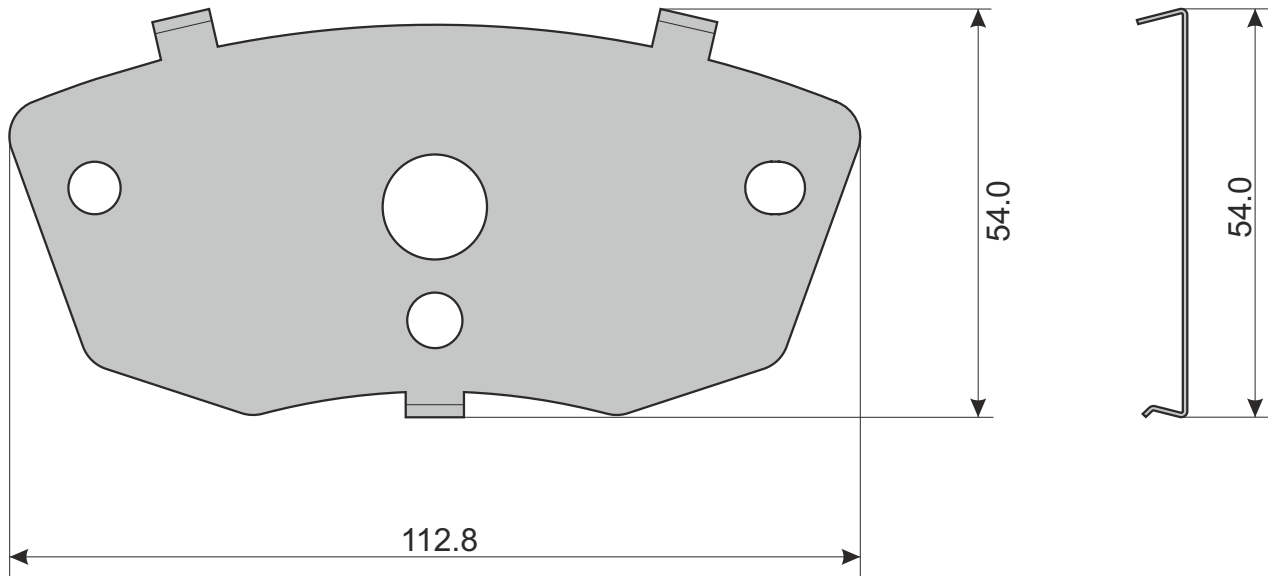


APPLICATION	AXLE	SCALE	REV.	DATE	SHIM 2060
	F	100%	00	09/07/2018	
CITROEN: BERLINGO II MOD. 08-, C4 II MOD. 10-, C4 PICASSO I MOD. 06-13, GRAND C4 PICASSO I MOD. 07-13, CITROEN VC: BERLINGO, ENTERPRISE II MOD. 08- DS: Ds4 PEUGEOT: 5008 I MOD. 09/17 PEUGEOT VC: PARTNER	W.V.A. 24538 24539	FMSI	O.E.	 MORETTO BRAKE PADS COMPONENT	



Drawing in CAD corrections are not allowed
TOLLERANCE± 0.5