
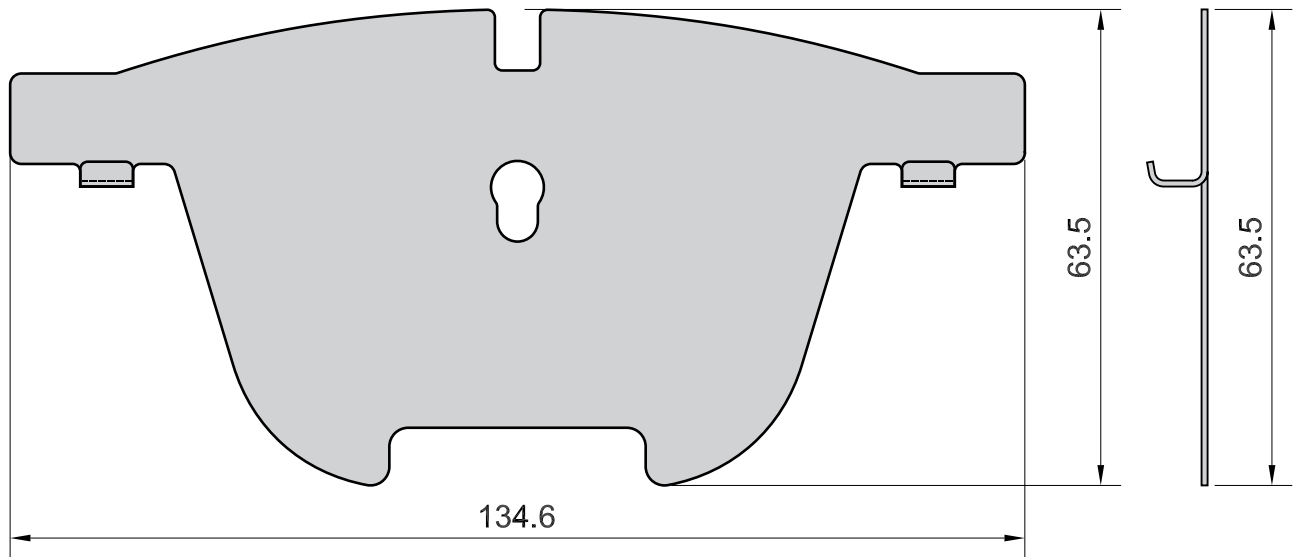


APPLICATION	AXLE	SCALE	REV.	DATE	SHIM 208
	R	100%	00	23/06/2016	
BMW:SERIE 6,X6,SERIE 5,SERIE 1, BENTLEY:ARNAGE,AZURE,CONTINENTAL ALPINE:BT ROLL ROYCE:THANTOM	W.V.A. 24495 23731 23310	FMSI D0919-0	O.E.	 MECCANICHE MARCO MORETTO S.R.L. BRAKE PADS COMPONENTS	



Drawing in CAD corrections are not allowed
TOLLERANCE: ± 0.5