
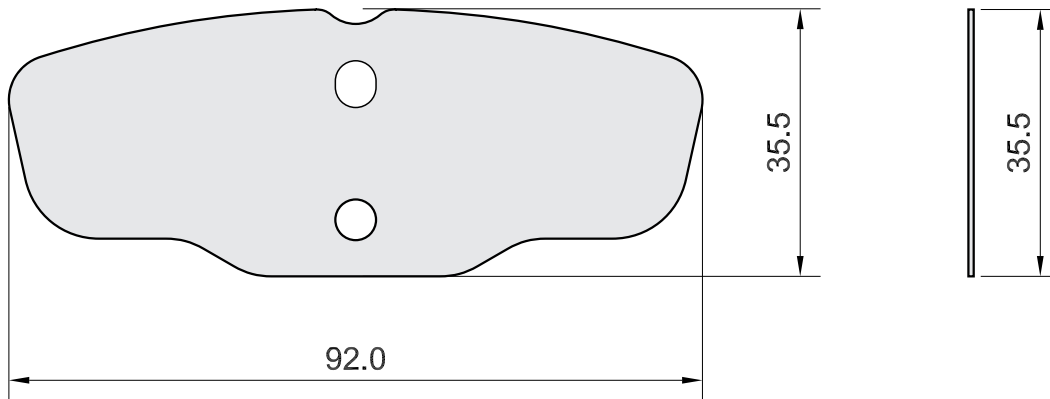


APPLICATION MERCEDES-BENZ:C-CLASS,E-CLASS, CLS,SL,S-CLASS	AXLE	SCALE	REV.	DATE	SHIM 211
	R	100%	00	19/10/2015	
	W.V.A. 23334 23335 24862	FMSI D-0986-0	O.E.		 MECCANICHE MARCO MORETTO S.R.L. BRAKE PADS COMPONENTS



Drawing in CAD corrections are not allowed
TOLLERANCE: ± 0.5