

APPLICATION

AXLE

SCALE

REV.

DATE

SHIM 223

100%

00

20/07/2014

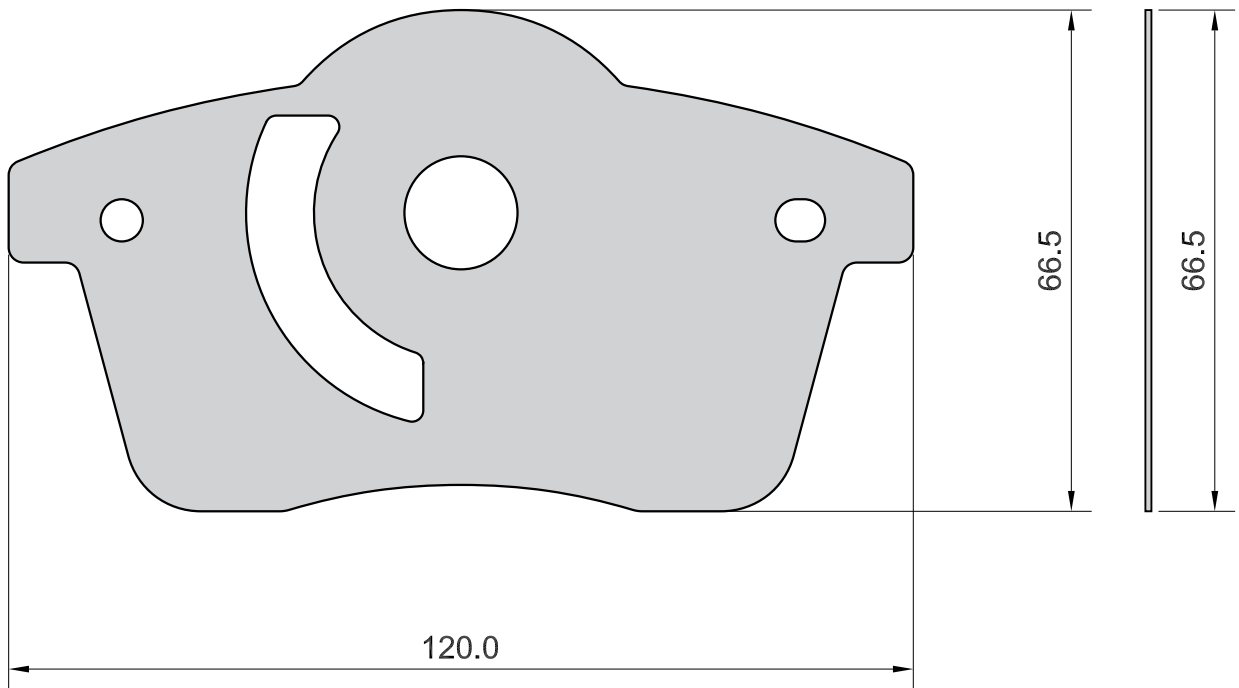
W.V.A.
23832

FMSI

O.E.



MECCANICHE MARCO MORETTO S.R.L.
BRAKE PADS COMPONENTS



Drawing in CAD corrections are not allowed

TOLLERANCE: ± 0.5