
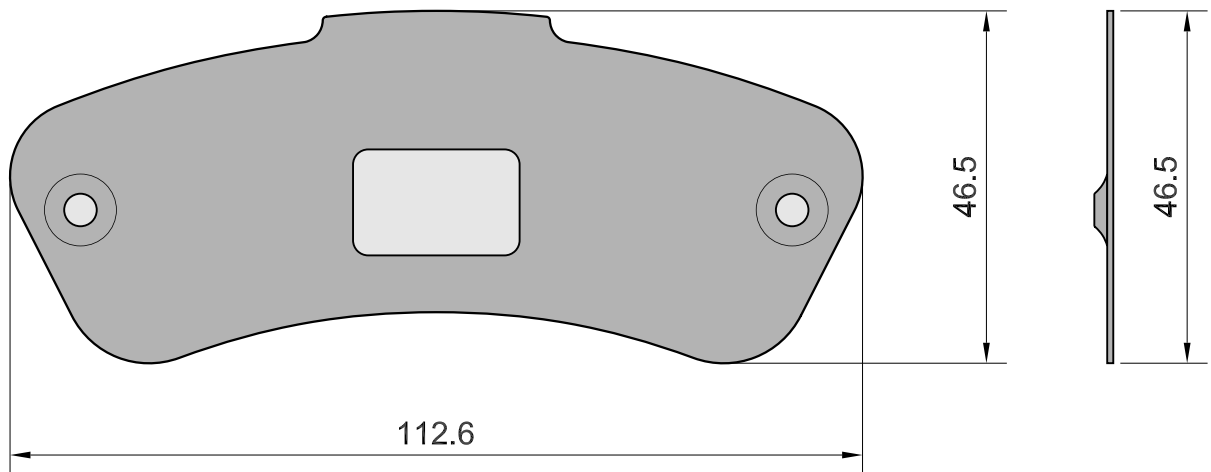


APPLICATION	AXLE	SCALE	REV.	DATE	SHIM 233
	R	100%	00	26/05/2012	
CITROEN : JUMPER,RELAY FIAT: DUCATO PEUGEOT: BOXER	W.V.A. 24465	FMSI D1490	O.E. 4253.60		 MECCANICHE MARCO MORETTO S.R.L. BRAKE PADS COMPONENTS



Drawing in CAD corrections are not allowed
TOLLERANCE: ± 0.5