
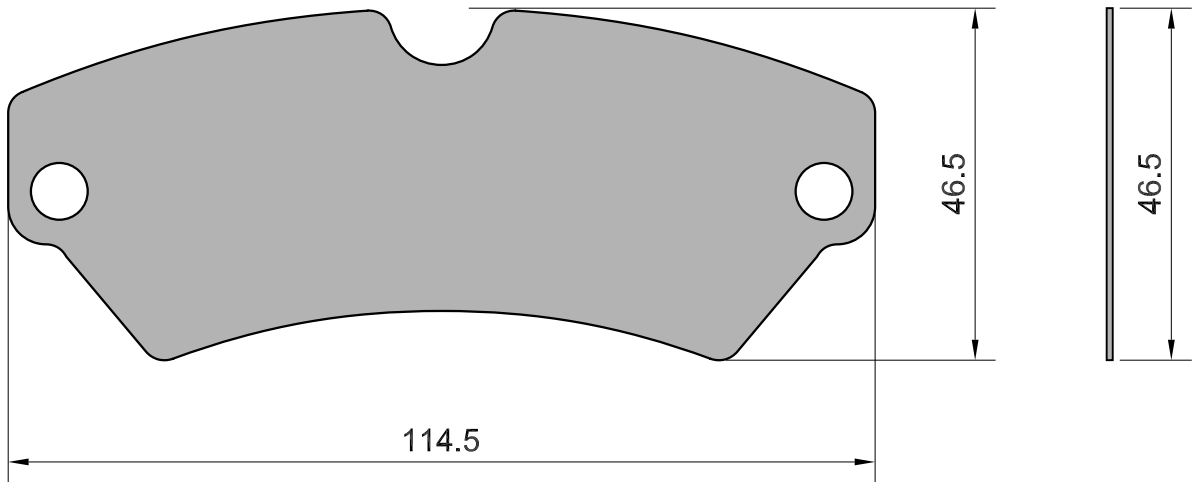


APPLICATION DODGE : SPRINTER MERCEDES : SPRINTER,VIANO VOLKSWAGEN : CRAFTER	AXLE	SCALE	REV.	DATE	SHIM 239
	R	100%	00	11/04/2012	
	W.V.A. 29190	FMSI D1317	O.E. 04862602AA 2E0698451		 MECCANICHE MARCO MORETTO S.R.L. BRAKE PADS COMPONENTS



Drawing in CAD corrections are not allowed
TOLLERANCE: ± 0.5