
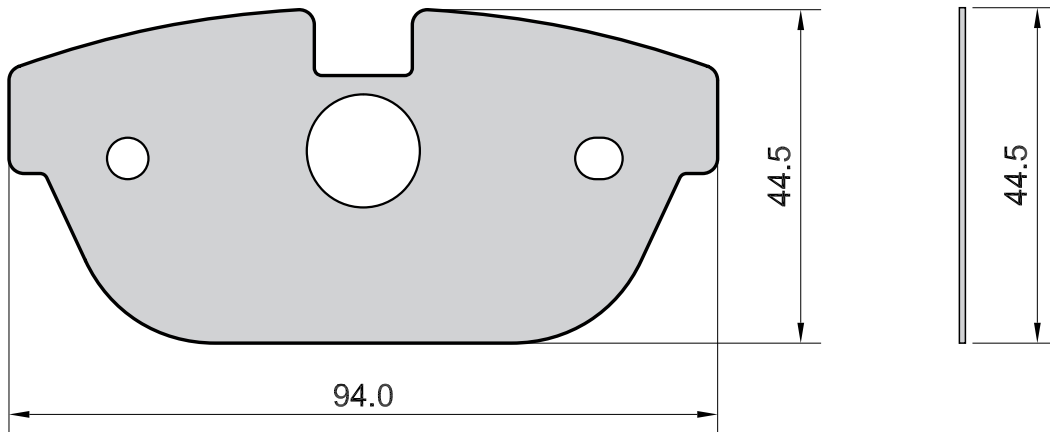


APPLICATION MERCEDES:C-CLASS,GLK	AXLE	SCALE	REV.	DATE	SHIM 249
	R	100%	00	24/02/2017	
	W.V.A. 24253 24254 25282		FMSI	O.E.	 MECCANICHE MARCO MORETTO S.R.L. BRAKE PADS COMPONENTS



Drawing in CAD corrections are not allowed
TOLLERANCE: ± 0.5