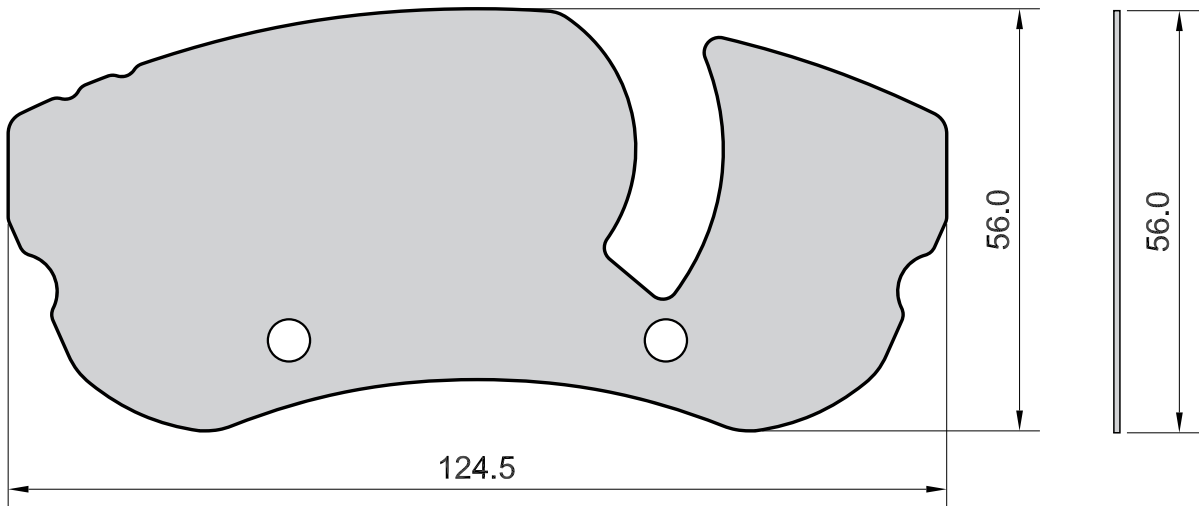


APPLICATION	AXLE	SCALE	REV.	DATE	SHIM 254
MERCEDES: C-CLASS (T204),C-CLASS (W204) C-CLASS COUPE' (C204),E-CLASS (T212) E-CLASS (W212),E-CLASS (A207), E-CLASS (C207),SLK (R172)	F	100%	00	24/02/2017	
		W.V.A. 24207 24306	FMSI	O.E.	



Drawing in CAD corrections are not allowed
TOLLERANCE: ± 0.5