
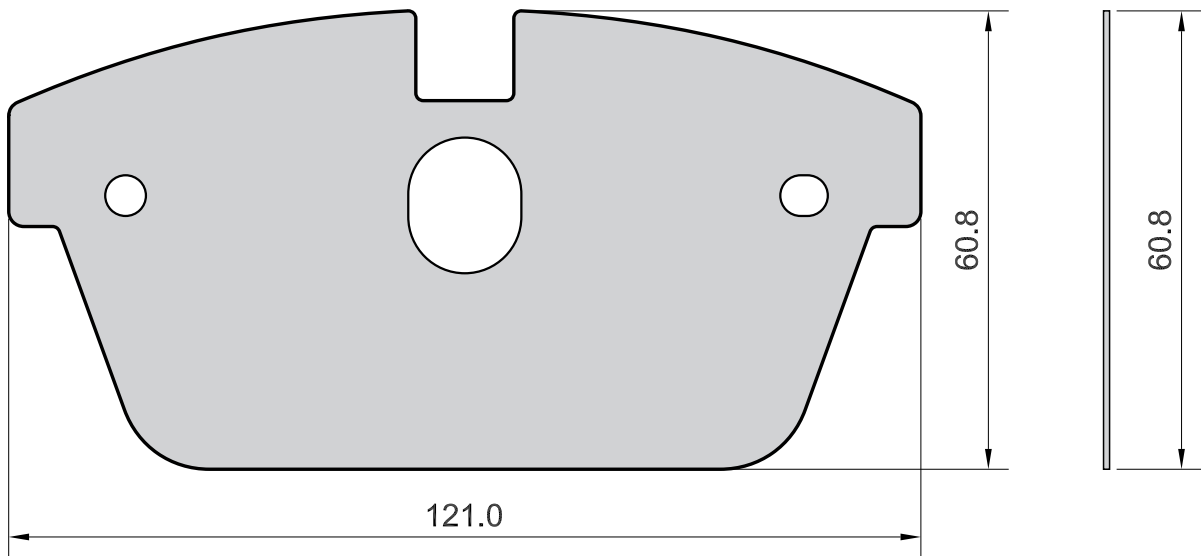


APPLICATION	AXLE	SCALE	REV.	DATE	SHIM 263
	F	100%	00	24/02/2017	
FORD: GALAXY, MONDEO, S-MAX JAGUAR: X-TYPE LAND ROVER: FREELANDER VOLVO: S60, S80 PEUGEOT: 508, 5008, 207, 307, 308 RANGE ROVER: EVOQUE AUDI CITROEN: C4, PICASSO, C5, C4, DS4	W.V.A. 24123 24124 24084 24332 22272 24557 24558 25311	FMSI	O.E.	 MECCANICHE MARCO MORETTO S.R.L. BRAKE PADS COMPONENTS	



Drawing in CAD corrections are not allowed
TOLLERANCE: ± 0.5