
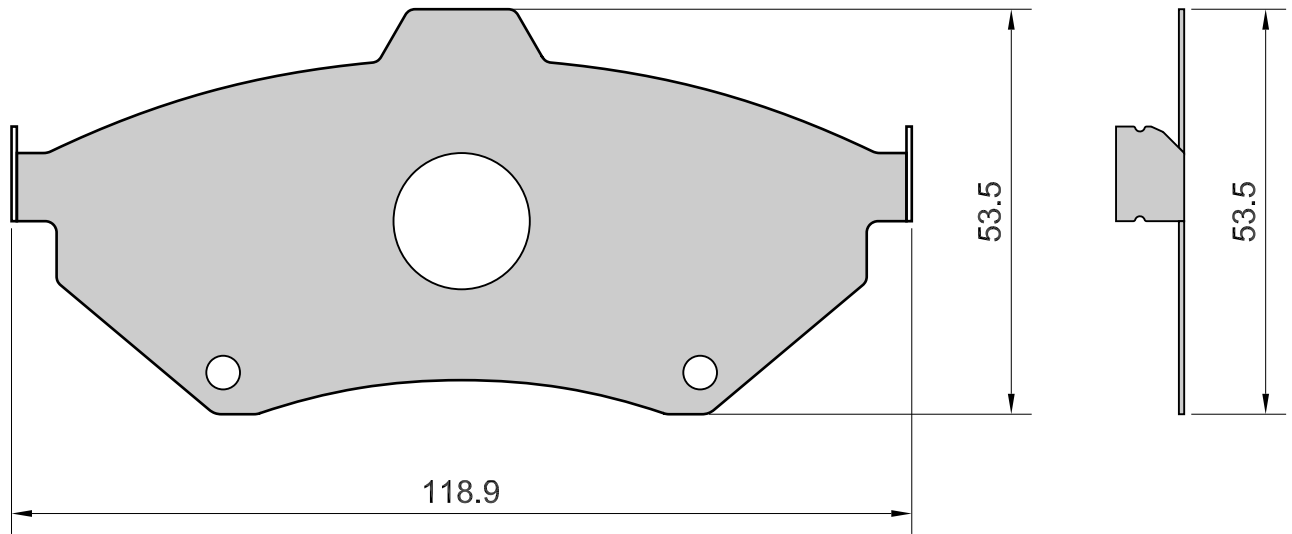


APPLICATION	AXLE	SCALE	REV.	DATE	SHIM 317
	F	100%	00	24/11/2011	
AUDI :80,90,100,200,COUPE',QUATTRO SEAT :CORDOBA,IBIZA,INCA,TOLEDO VOLKSWAGEN :CADDY,CORRADO,GOLF JETTA,LUPO,PASSAT,POLO SCIROCCO,VENTO	W.V.A. 20168	FMSI D684 D696 D1459	O.E.	 MECCANICHE MARCO MORETTO S.R.L. BRAKE PADS COMPONENTS	



Drawing in CAD corrections are not allowed
TOLLERANCE: ± 0.5