
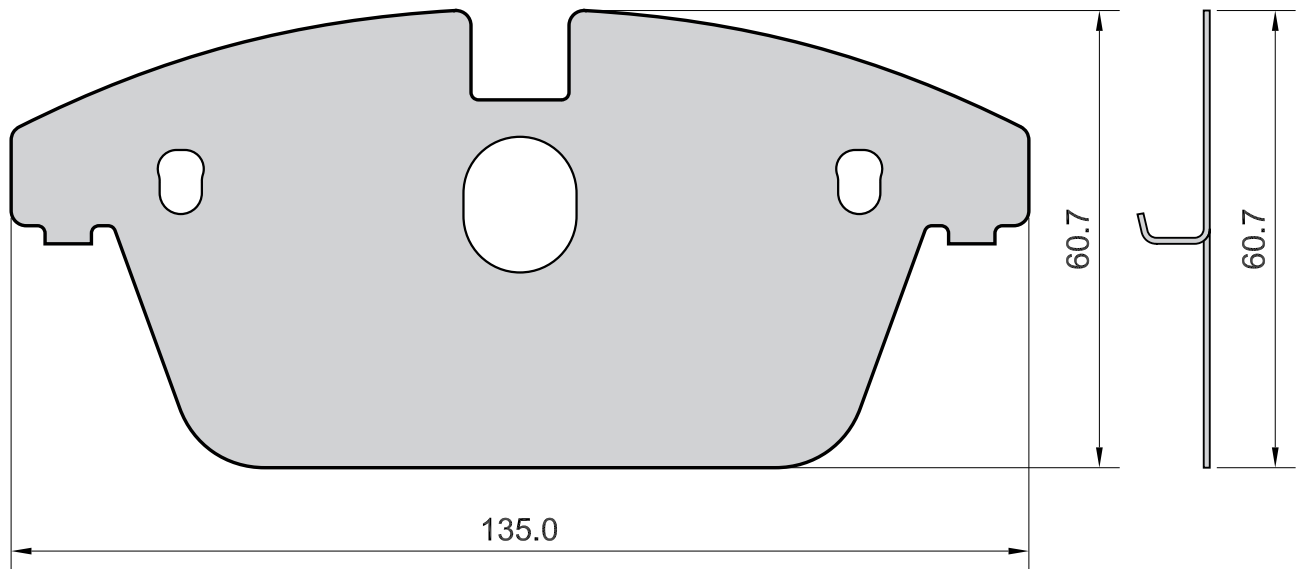


APPLICATION	AXLE	SCALE	REV.	DATE	SHIM 318
	F	100%	00	24/02/2017	
AUDI:Q3 SEAT:ALHAMBRA VOLKSWAGEN:SHARAN,TIGUAN	W.V.A. 24332 24333 24334 24705 24706 24707	FMSI	O.E.		 <b>MECCANICHE MARCO MORETTO S.R.L.</b> BRAKE PADS COMPONENTS



Drawing in CAD corrections are not allowed  
**TOLLERANCE: ± 0.5**