
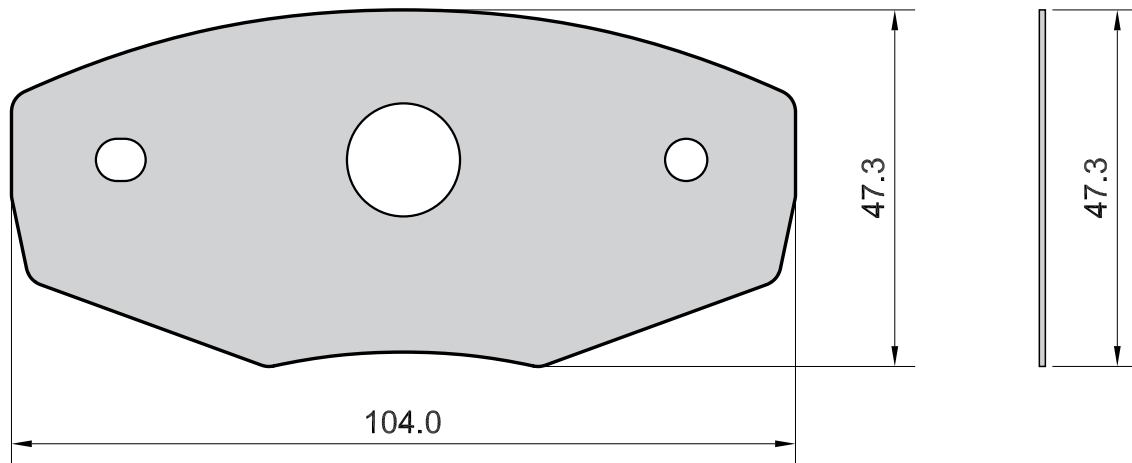


APPLICATION FIAT: DOBLO, 500, GRANDE PUNTO, PUNTO EVO, DACIA: LOGAN LANCIA: YPSILON	AXLE	SCALE	REV.	DATE	SHIM 338
	F	100%	00	24/02/2017	
	W.V.A. 23842 25430 25323		FMSI	O.E.	 MECCANICHE MARCO MORETTO S.R.L. BRAKE PADS COMPONENTS



Drawing in CAD corrections are not allowed
TOLLERANCE: ± 0.5