
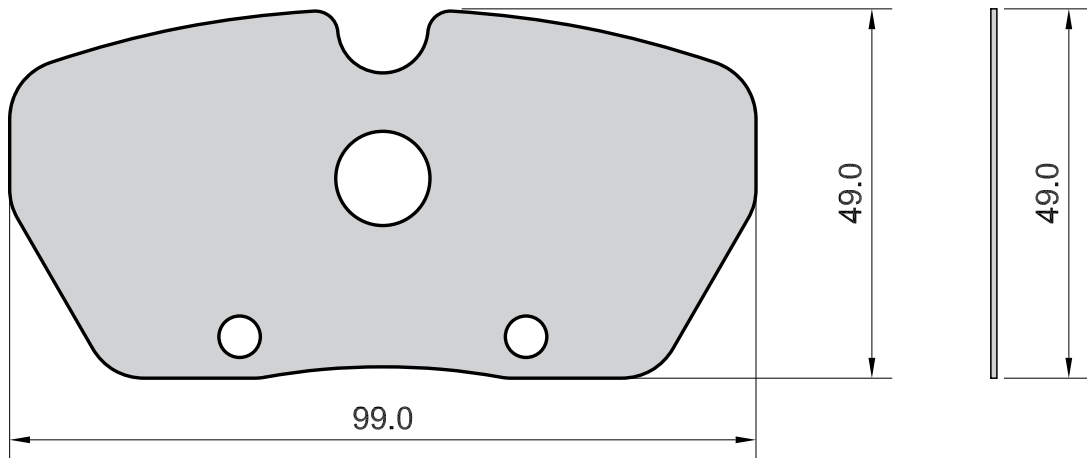


APPLICATION	AXLE	SCALE	REV.	DATE	SHIM 344
	F	100%	00	24/02/2017	
BMW: SERIE 1,SERIE 2 ACTIVE TOURER, i3 MINI: COUPER,COUPER COUPE',CABRIO, COUPER CLUBMAN,ONE CABRIO, ONE CLUBMAN,ROADSTER	W.V.A. 23915 23916	FMSI	O.E.	 MECCANICHE MARCO MORETTO S.R.L. BRAKE PADS COMPONENTS	



Drawing in CAD corrections are not allowed

TOLLERANCE: ± 0.5