
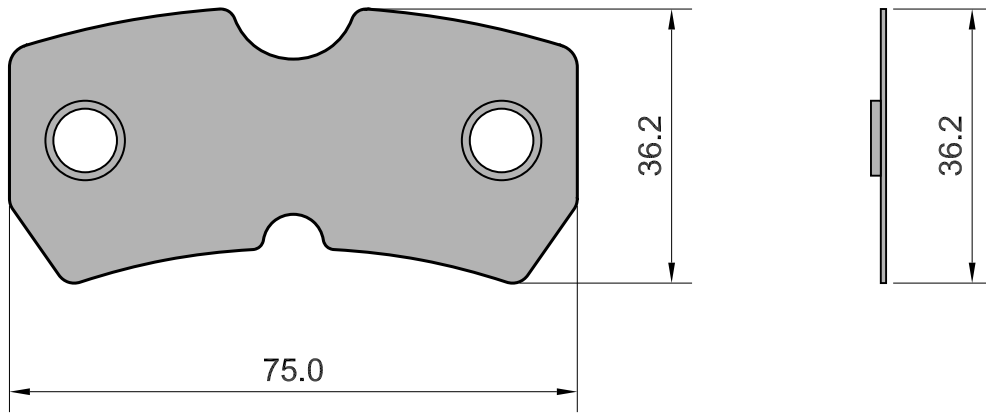


APPLICATION FORD: FOCUS, FIESTA	AXLE	SCALE	REV.	DATE	SHIM 353
	R	100%	00	15/03/2013	
	W.V.A. 23353		FMSI D0886	O.E. 1075565 1107698 154Z-2200-BA 98AB-2M008-BA	 MECCANICHE MARCO MORETTO S.R.L. BRAKE PADS COMPONENTS



Drawing in CAD corrections are not allowed
TOLLERANCE: ± 0.5