
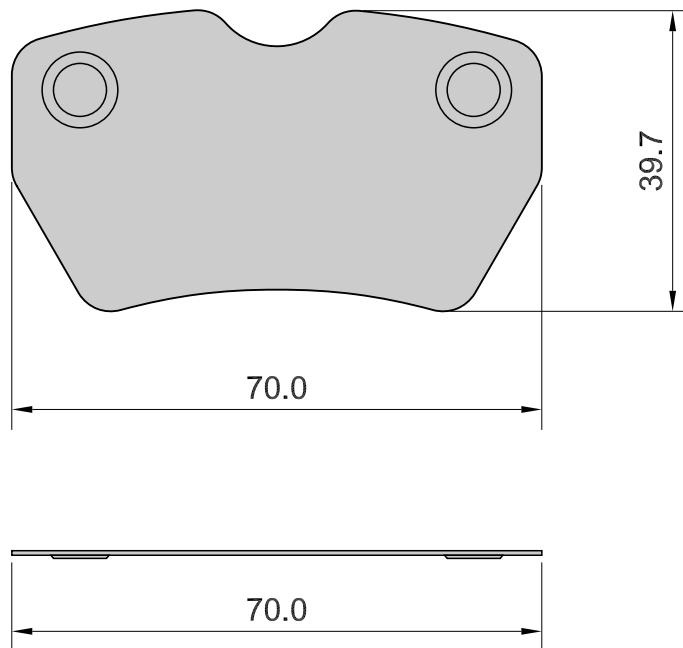


APPLICATION	AXLE	SCALE	REV.	DATE		SHIM 366
	R	100%	00	24/11/2011		
AUDI :A1,A2,A3,A4,A6,A8,TT		W.V.A.	FMSI	O.E.		 MECCANICHE MARCO MORETTO S.R.L. BRAKE PADS COMPONENTS
CITROEN :C2,C3,C4,C4 PICASSO,XSARA, XSARA PICASSO,C8		20960	D984	7701208416	9404252328	
FIAT :ULISSE		20961	D340	150698451	1H0698451D	
FORD :GALAXY		23351		1E0698451C	1J0698451	
LANCIA :PHEDRA		23352		4B0698451	1J0698451C	
PEUGEOT :307,405,1007,PARTNER		23553		4B0698451B	7M0698451	
RENAULT :MODUS		23554		4B0698451E	1J0698451B	
SEAT :AROSA,ALHAMBRA,ALTEA,IBIZA, CORDOBA,LEON,TOLEDO		23391		4D0698451D	1K0698451C	
SKODA :FABIA,OCTAVIA,ROOMSTER,YETI, SUPERB,		23556		8E0698451	8E0698451	
VOLKSWAGEN :BORA,GOLF,JETTA,LUPO, NEW BEETLE,PASSAT,POLO,VENTO, SHARAN		23823		8E0698451A	8E0698451A	
				425233	8E0698451K	
				425241	3B0698415A	
				9404252328	1J0698451P	
				1001096	1J0698415S	
				1027640	6Q0698451	
				425396	6Q0698451B	



Drawing in CAD corrections are not allowed

TOLLERANCE: ± 0.5