
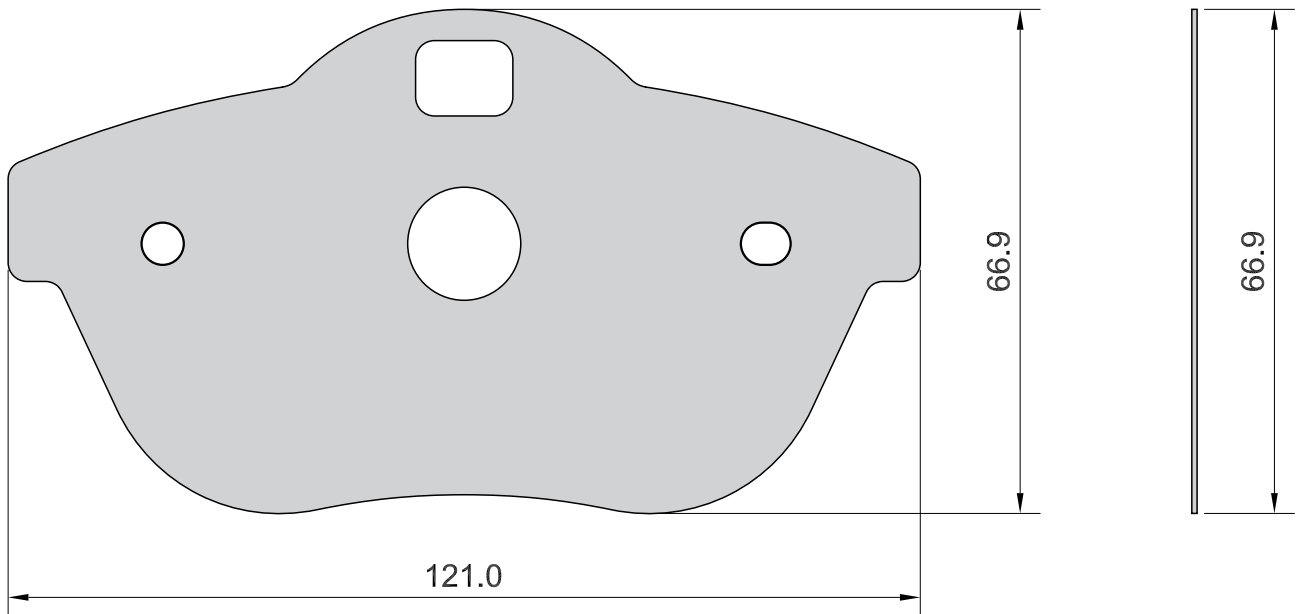


APPLICATION  RENAULT:LAGUNA,MEGANE,SCENIC II, GRAND SCENIC	AXLE	SCALE	REV.	DATE	<b>SHIM 372</b>
	F	100%	00	04/11/2014	
	W.V.A. 23245 24356		FMSI D1501-O	O.E.	 <b>MECCANICHE MARCO MORETTO S.R.L.</b> <b>BRAKE PADS COMPONENTS</b>



Drawing in CAD corrections are not allowed  
**TOLLERANCE: ± 0.5**