
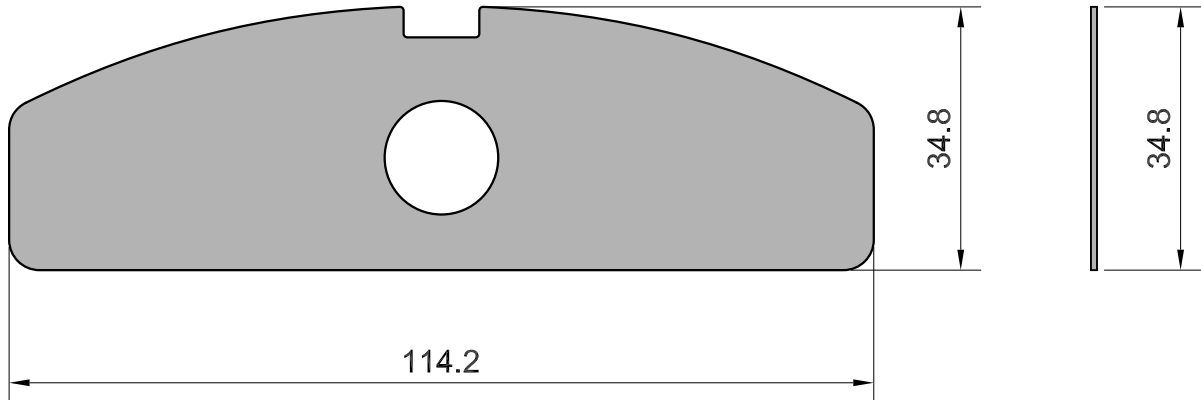


APPLICATION	AXLE	SCALE	REV.	DATE	SHIM 392 B
	F	100%	00	03/03/2012	
SEAT : CORDOBA, IBIZA, TOLEDO VOLKSWAGEN: GOLF, JETTA, POLO, VENTO	W.V.A. 21867 21868	FMSI D0964-O	O.E. 1H0698151A 6Q0698151B 6N0698151C	 MECCANICHE MARCO MORETTO S.R.L. BRAKE PADS COMPONENTS	



Drawing in CAD corrections are not allowed
TOLLERANCE: ± 0.5