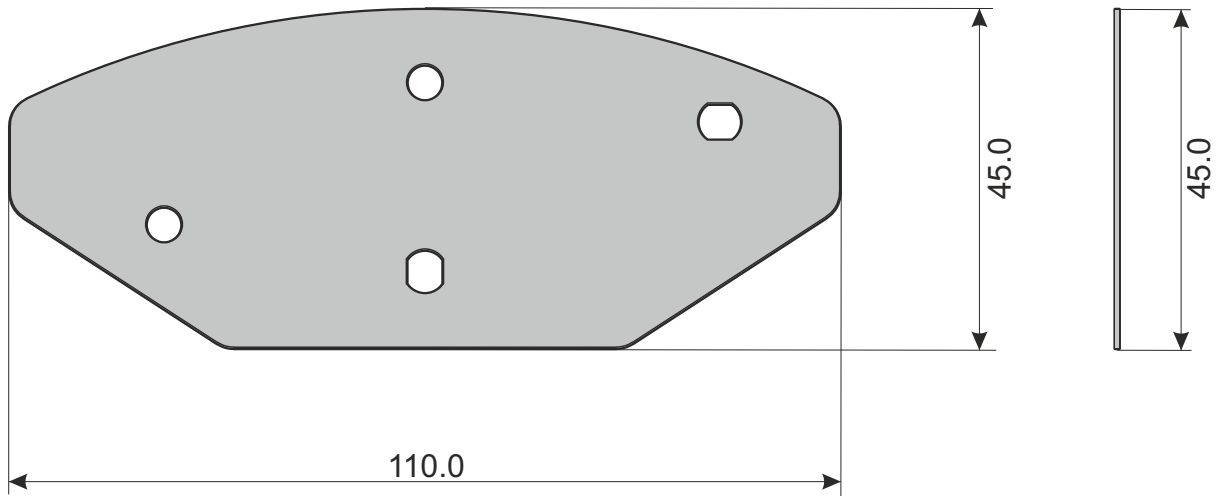


APPLICATION	AXLE	SCALE	REV.	DATE	SHIM 396
SKODA: FABIA, FABIA SW, RAPID, VOLKSWAGEN: POLO V, POLO VIVO, VENTO	F	100%	00	16/10/2017	
W.V.A. 25681 25682		FMSI		O.E.	



Drawing in CAD corrections are not allowed
TOLLERANCE± 0.5