
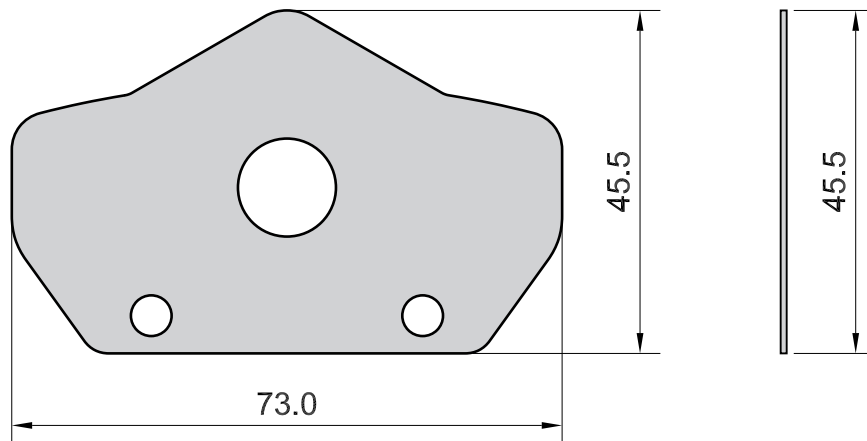


APPLICATION BMW:SERIE 1,SERIE 3	AXLE	SCALE	REV.	DATE	SHIM 397
	R	100%	00	23/06/2016	
	W.V.A. 23623		FMSI	O.E. 00000	 MECCANICHE MARCO MORETTO S.R.L. BRAKE PADS COMPONENTS



Drawing in CAD corrections are not allowed
TOLLERANCE: ± 0.5