
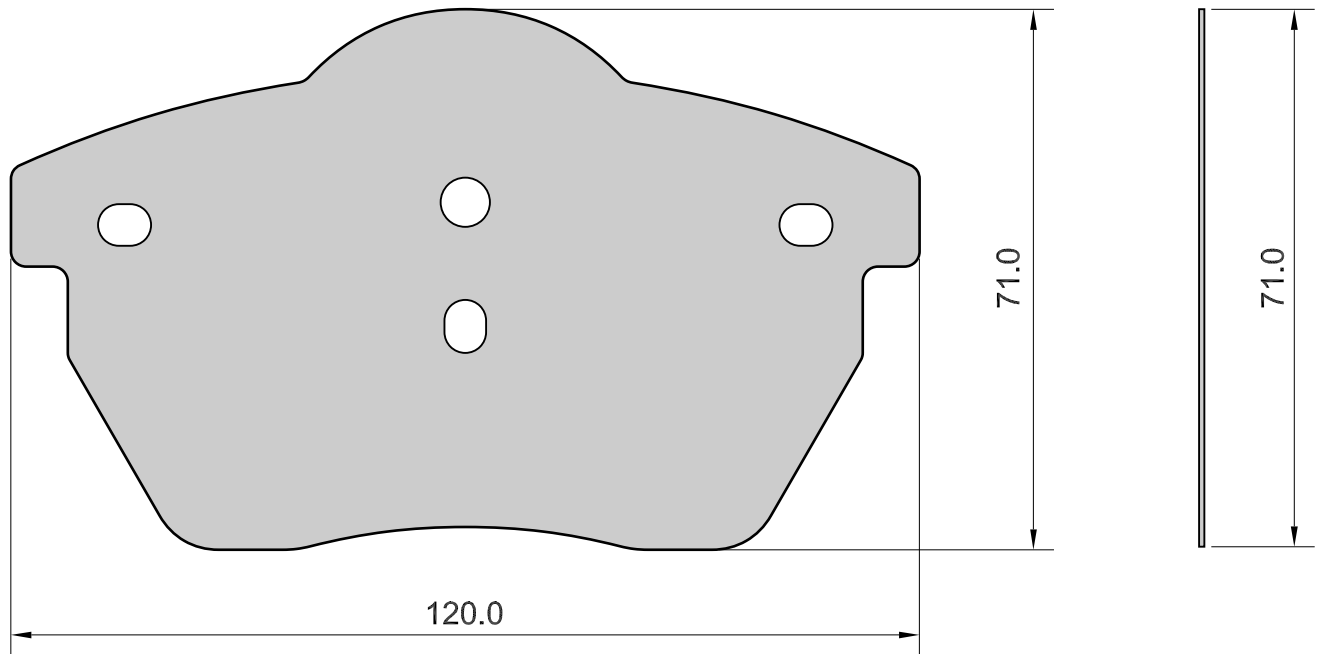


APPLICATION	AXLE	SCALE	REV.	DATE	SHIM 423
	F	100%	00	24/11/2011	
AUDI :100,A3,A4,A6,TT HOLDEN :VECTRA OPEL :CALIBRA,VECTRA SAAB :900,9-3,9-5 SEAT :IBIZA,LEON,TOLEDO,EXEO SKODA :OCTAVIA VAUXHALL :CALIBRA,VECTRA VOLKSWAGEN :BORA,GOLF,JETTA,VENTO NEW BEETLE,PASSAT VOLVO :S70,V70	W.V.A. 20676 20678 21359 21624 21639 21640 21646 21848 21849 21850 21911 21938 23324 23392	FMSI D555-O D836-O D840	O.E. 12759808 8E0698151K 1J0698151M 3A0615116A 4A0698151A 1605036 1605966 4907739 5055371 8N0698151A 90512037	 MECCANICHE MARCO MORETTO S.R.L. BRAKE PADS COMPONENTS	



Drawing in CAD corrections are not allowed

TOLLERANCE: ± 0.5