
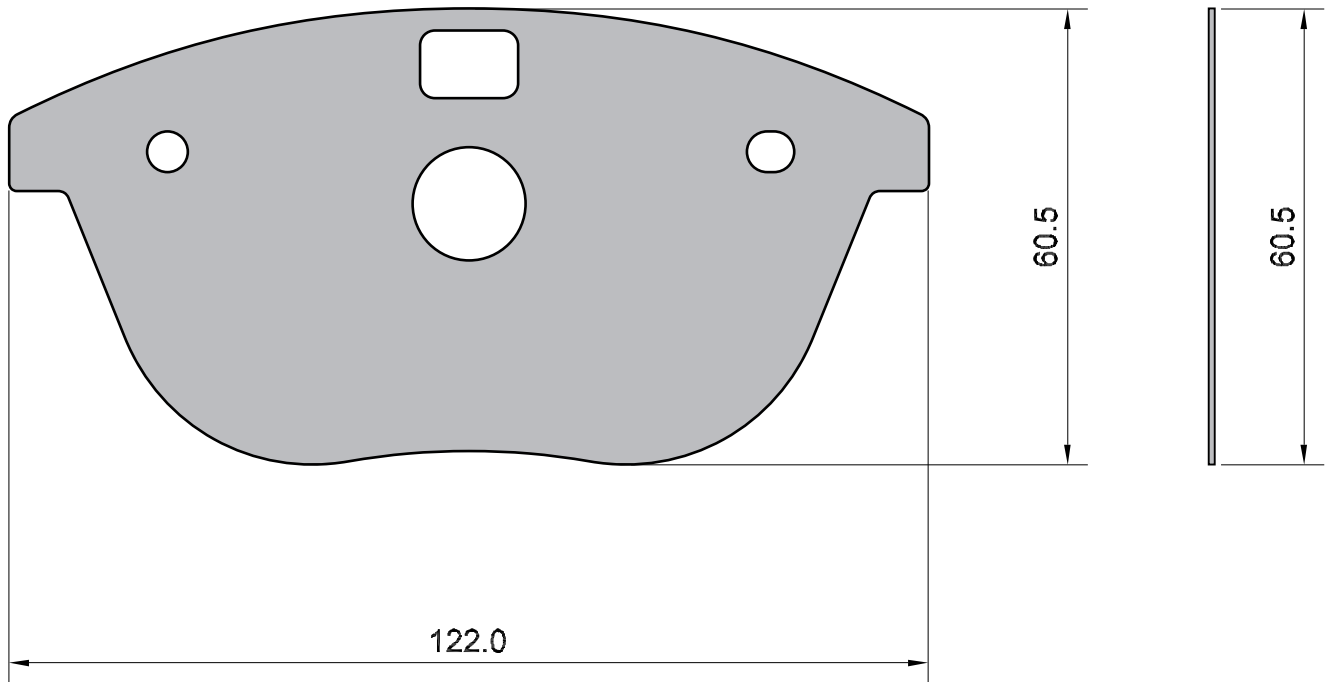


APPLICATION FORD MAZDA VOLVO	AXLE	SCALE	REV.	DATE	SHIM 451
	F	100%	00	30/11/2013	
	W.V.A. 23723		FMSI D1044-I	O.E.	 MECCANICHE MARCO MORETTO S.R.L. BRAKE PADS COMPONENTS



Drawing in CAD corrections are not allowed
TOLLERANCE: ± 0.5