
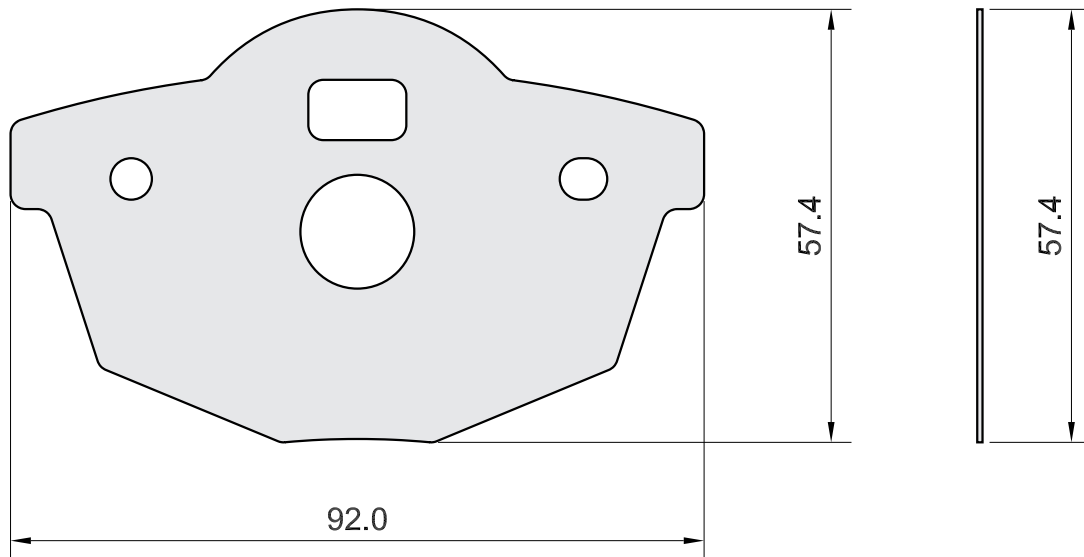


APPLICATION VOLVO:XC90	AXLE	SCALE	REV.	DATE	SHIM 459
	R	100%	00	19/10/2015	
	W.V.A. 24012	FMSI D0980-I	O.E.		 MECCANICHE MARCO MORETTO S.R.L. BRAKE PADS COMPONENTS



Drawing in CAD corrections are not allowed
TOLLERANCE: ± 0.5