
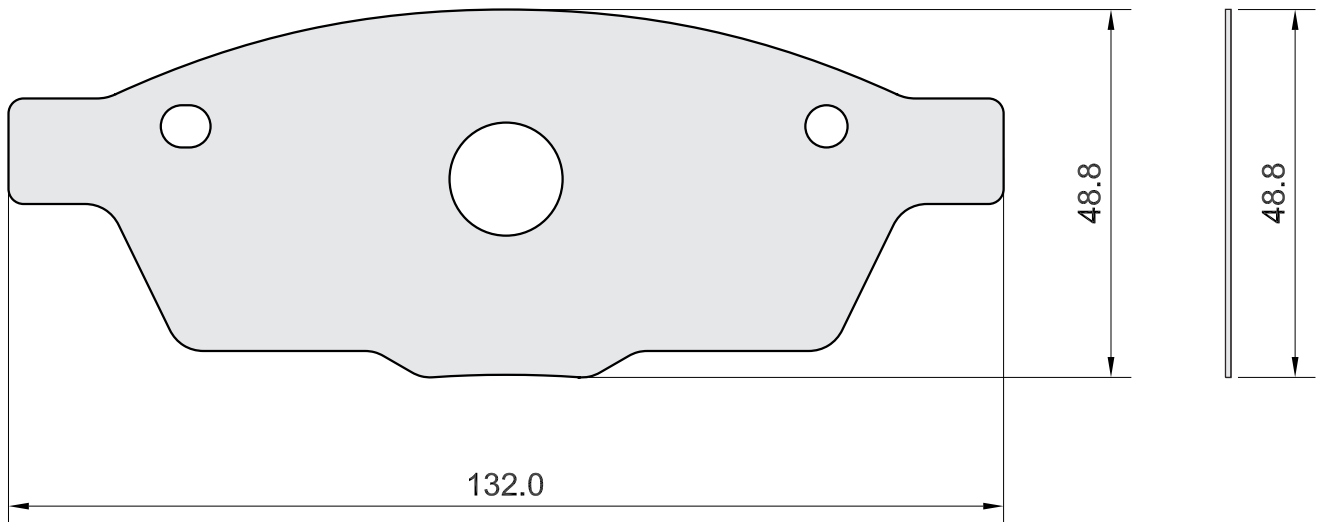


APPLICATION BMW:SERIE1,SERIE3	AXLE	SCALE	REV.	DATE	SHIM 470
	F	100%	00	19/10/2015	
	W.V.A. 21913 21914 21924 21925 23286 23287 23935 21644	FMSI D078-I	O.E.		 MECCANICHE MARCO MORETTO S.R.L. BRAKE PADS COMPONENTS



Drawing in CAD corrections are not allowed
TOLLERANCE: ± 0.5