

APPLICATION

BMW:SERIE 1,SERIE 3

AXLE

F

SCALE

100%

REV.

00

DATE

19/10/2015

SHIM 474

W.V.A.

23287
21912
21921
21926
23977
23999
21643

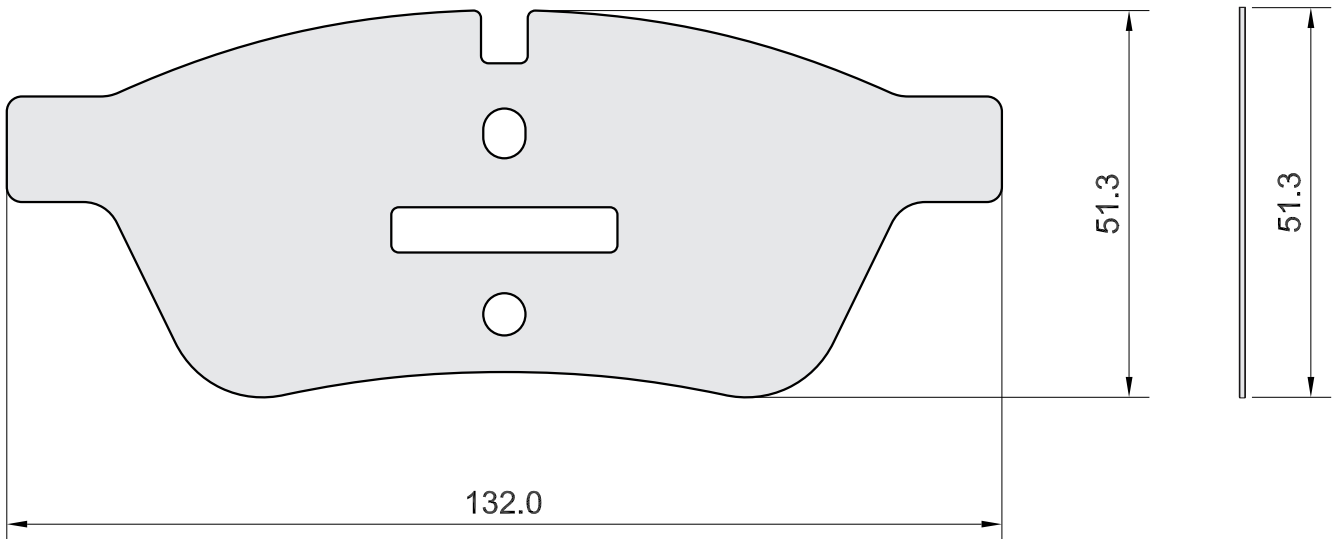
FMSI

D0781-0
D1228-0

O.E.



MECCANICHE MARCO MORETTO S.R.L.
BRAKE PADS COMPONENTS



Drawing in CAD corrections are not allowed

TOLLERANCE: ± 0.5