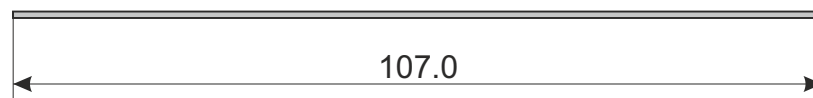
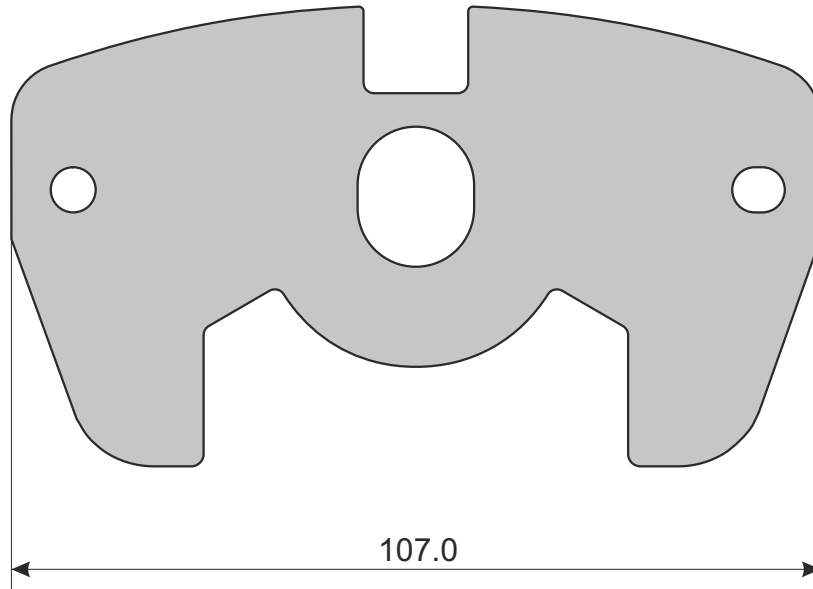


APPLICATION	AXLE	SCALE	REV.	DATE	SHIM 536
CITROEN: C4 II MOD. 10- C4 PICASSO I MOD. 06-13 DS4, DS5 GRAND C4 PICASSO I MOD. 07-13 DS: DS4, DS5 PEUGEOT: 3008 I MOD. 09-16 5008 I MOD. 09-11	F	100%	00	19/03/2018	
W.V.A.		FMSI	O.E.		
24557					
24558					



Drawing in CAD corrections are not allowed  
**TOLLERANCE# 0.5**