
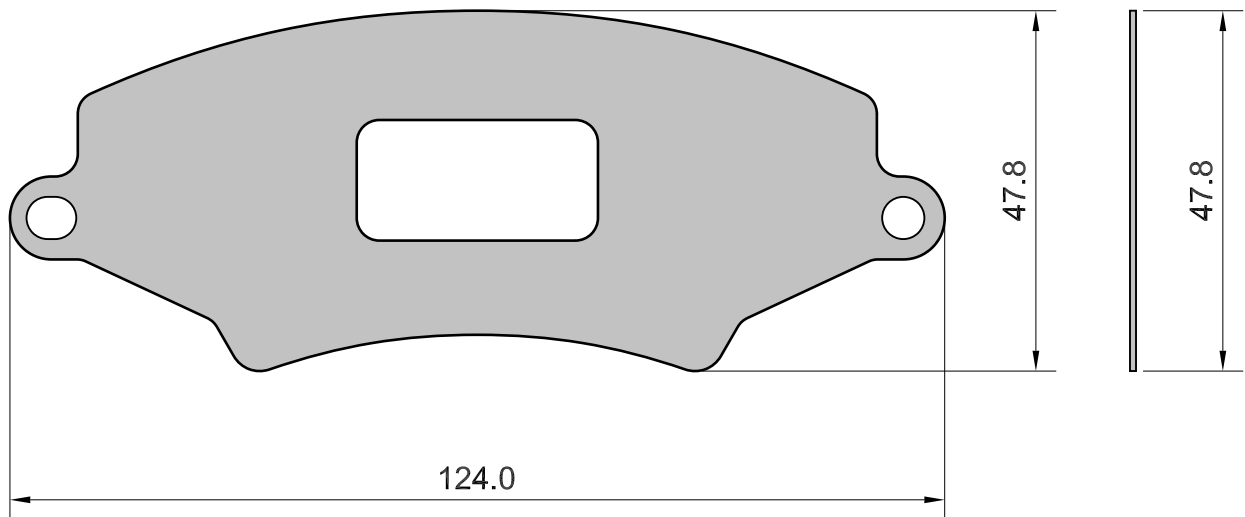


APPLICATION TOYOTA: COROLLA	AXLE	SCALE	REV.	DATE	SHIM 542
	F	100%	00	02/06/2014	
	W.V.A. 23766 23767 23818 23819	FMSI D1215	O.E. 04465-02061 04465-02130 04465-02150		 MECCANICHE MARCO MORETTO S.R.L. BRAKE PADS COMPONENTS



Drawing in CAD corrections are not allowed
TOLLERANCE: ± 0.5