
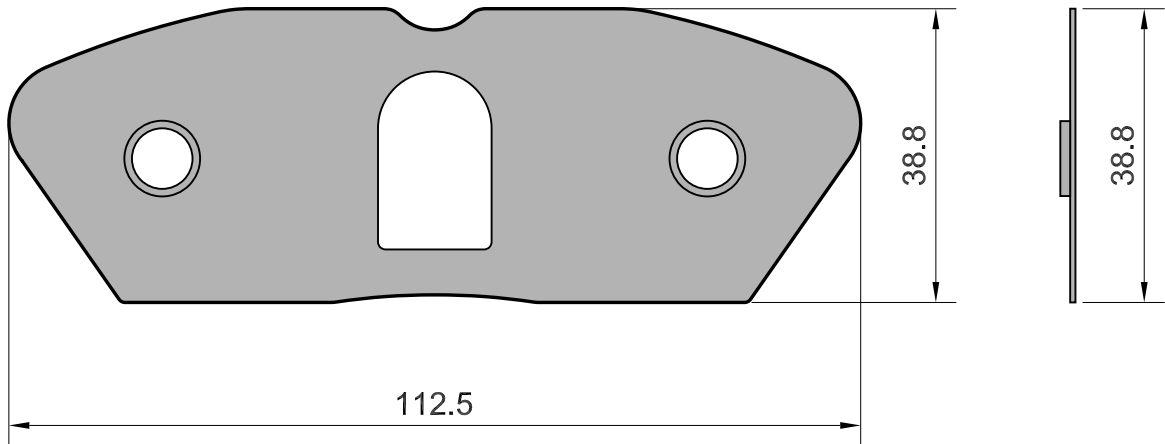


APPLICATION	AXLE	SCALE	REV.	DATE	SHIM 576.1
	F	100%	00	15/03/2013	
MERCEDES :SPRINTER,V-CLASS,VITO VOLKSWAGEN:LT	W.V.A. 21576 21577 23990 23991	FMSI D0950 D1177	O.E. 0024203920 0024209920 9014210410 9014210510 9014210610 2D0698151	 <p>MECCANICHE MARCO MORETTO S.R.L. BRAKE PADS COMPONENTS</p>	



Drawing in CAD corrections are not allowed
TOLLERANCE: ± 0.5