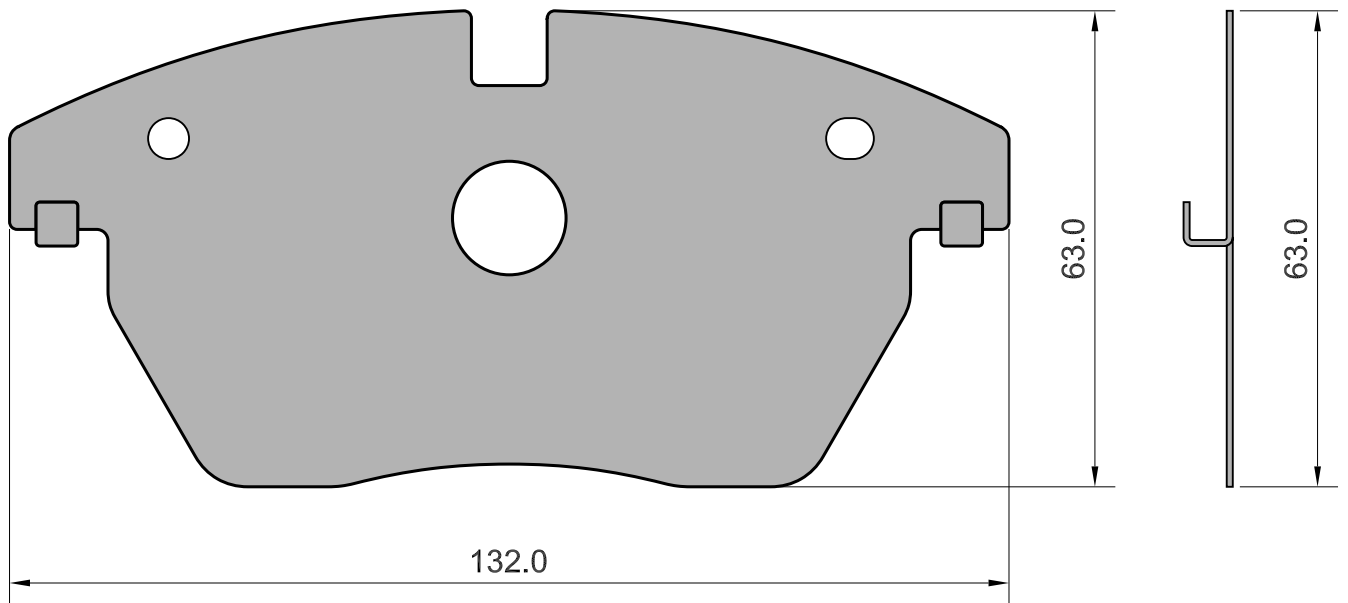


APPLICATION	AXLE	SCALE	REV.	DATE	SHIM 587
	F	100%	00	15/03/2013	
<b>AUDI</b> :A1,A3,TT <b>SEAT</b> :IBIZA,ALTEA,LEON,TOLEDO <b>SKODA</b> :OCTAVIA,YETI,SUPERB <b>VOLKSWAGEN</b> :POLO,EOS,GOLF,PASSAT, TOURAN,JETTA,CADDY	W.V.A.	FMSI	O.E.		
	23587	D1107-I	1K0698151		
	23588	D1319-I	1K0698151C		
	24078		1K0698151E		
	24084		3C0698151A		
24153		5K0698151E			
			5C0698151		



**MECCANICHE MARCO MORETTO S.R.L.**  
 BRAKE PADS COMPONENTS



Drawing in CAD corrections are not allowed  
**TOLLERANCE: ± 0.5**