
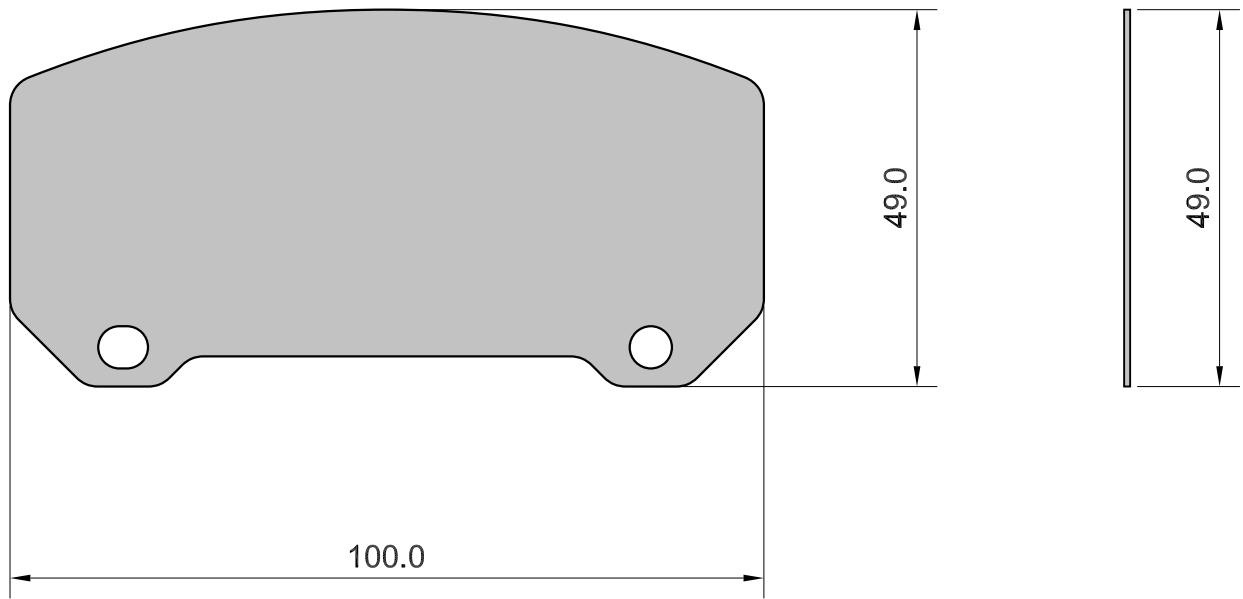


| | | | | | |
|---------------------------------|--|-------|------|------------|--|
| APPLICATION PEUGEOT: 407 | AXLE | SCALE | REV. | DATE | SHIM 590.1 |
| | F | 100% | 00 | 24/05/2014 | |
| | W.V.A. 24134 24175 24901 25328 | | FMSI | O.E. |  MECCANICHE MARCO MORETTO S.R.L. BRAKE PADS COMPONENTS |



Drawing in CAD corrections are not allowed
TOLLERANCE: ± 0.5