
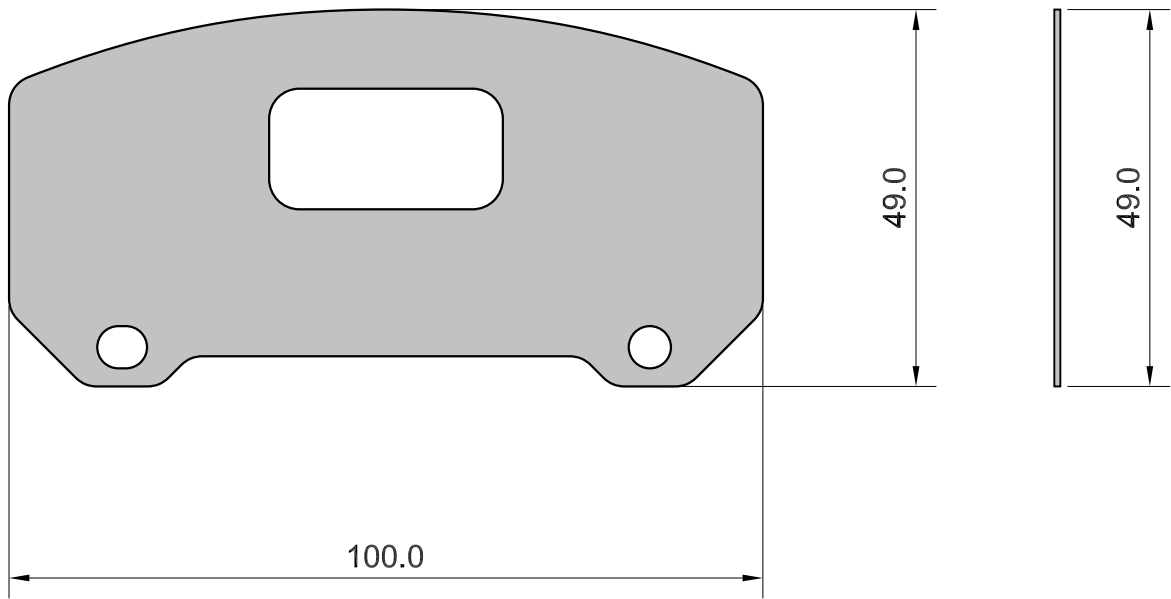


APPLICATION PEUGEOT: 407	AXLE	SCALE	REV.	DATE	SHIM 590
	F	100%	00	24/05/2014	
	W.V.A. 24134 24175 24901 25328		FMSI	O.E.	 MECCANICHE MARCO MORETTO S.R.L. BRAKE PADS COMPONENTS



Drawing in CAD corrections are not allowed
TOLLERANCE: ± 0.5